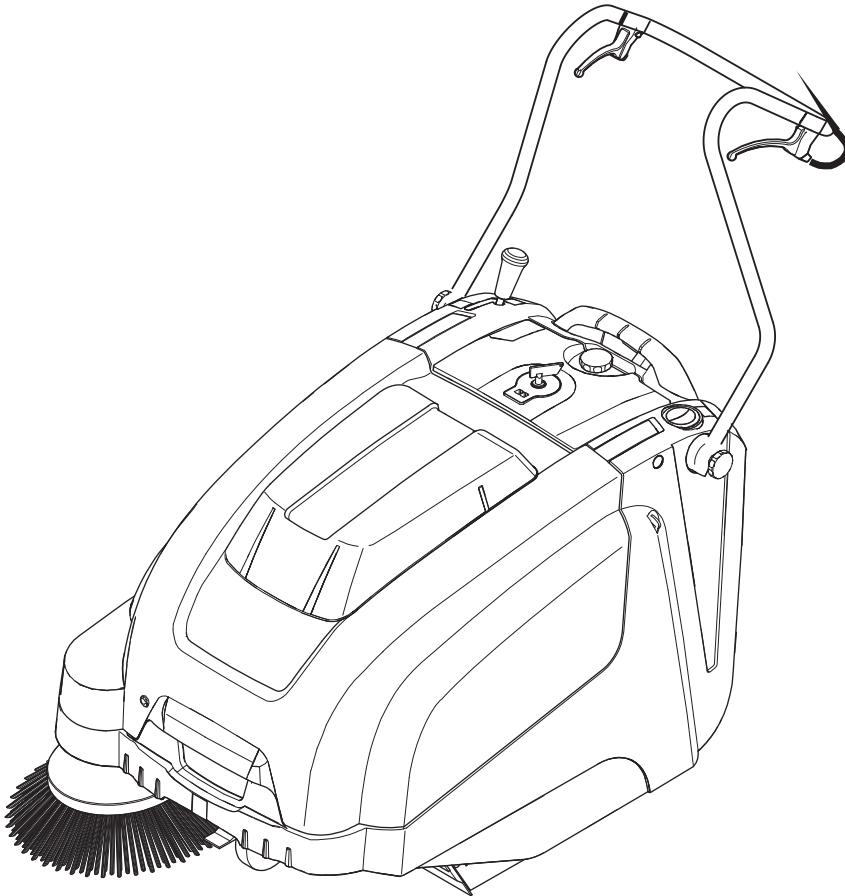




KM 75/40 W Bp
KM 75/40 W Bp Pack



Register and win!
www.kärcher.com



59622900 (03/12)

  Please read and comply with these original instructions prior to the initial operation of your appliance and store them for later use or subsequent owners.

Before first start-up it is definitely necessary to read the safety indications Nr. 5.956-250!

Contents

Safety instructions	EN .. 1
Function	EN .. 1
Proper use	EN .. 2
Environmental protection . .	EN .. 2
Operating and Functional Elements	EN .. 3
Before Startup.	EN .. 4
Start up	EN .. 5
Operation	EN .. 5
Shutdown	EN .. 6
Maintenance and care	EN .. 6
Accessories	EN .. 8
Troubleshooting	EN .. 9
EC Declaration of Conformity	EN .. 8
Warranty	EN .. 8
Technical specifications . . .	EN .. 10

Safety instructions

General notes

Your sales outlet should be informed about any transit damage noted when unpacking the product.

- Warning and information plates on the machine provide important directions for safe operation.
- In addition to the information contained in the operating instructions, all statutory safety and accident prevention regulations must be observed.

Drive mode

Danger

Risk of injury!

Danger of tipping if gradient is too high.

- *The gradient in the direction of travel should not exceed 12%.*

Danger of tipping on unstable ground.

- *Only use the machine on sound surfaces.*

Danger of tipping with excessive sideways tilt.

- *The gradient perpendicular to the direction of travel should not exceed 12%.*
- It is important to follow all safety instructions, rules and regulations applicable for driving motor vehicles.
- The operator must use the appliance properly. He must consider the local conditions and must pay attention to third parties, in particular children, when working with the appliance.
- The appliance may only be used by persons who have been instructed in handling the appliance or have proven qualification and expertise in operating the appliance or have been explicitly

assigned the task of handling the appliance.

- The appliance must not be operated by children, young persons or persons who have not been instructed accordingly.
- ➔ Never leave the machine unattended so long as the engine is running. The operator may leave the appliance only when the engine has come to a standstill, the appliance has been protected against accidental movement, the immobilisation brake has been applied and the main switch key has been removed.

Battery-operated machines

Note: Warranty claims will be entertained only if you use batteries and chargers recommended by Kärcher.

- Always follow the instructions of the battery manufacturer and the charger manufacturer. Please follow the statutory requirements for handling and disposing batteries.
- Never leave the batteries in a discharged state; recharge them as soon as possible.
- Always keep the batteries clean and dry to avoid creep currents. Protect the batteries and avoid contact with impurities such as metal dust.
- Do not place tools or similar items on the battery. Risk of short-circuit and explosion.
- Do not work with open flames, generate sparks or smoke in the vicinity of a battery or a battery charging room. Danger of explosion.
- Do not touch hot parts of the machine such as the drive motor (risk of burns).
- Be careful while handling battery acid. Follow the respective safety instructions!
- Used batteries are to be disposed according to the EC guideline 91/ 157 EWG in an environment-friendly manner.

Accessories and Spare Parts

Danger

To avoid risks, all repairs and replacement of spare parts may only be carried out by authorized customer service personnel.

- Only use accessories and spare parts which have been approved by the manufacturer. The exclusive use of original accessories and original spare parts ensures that the appliance can be operated safely and troublefree.
- At the end of the operating instructions you will find a selected list of spare parts that are often required.
- For additional information about spare parts, please go to the Service section at www.kaercher.com.

Symbols on the machine



Please do not sweep away any burning substances such as cigarettes, match sticks or similar objects.



Risk of being squeezed or hurt at the belts, side-brushes, containers, pushing handle.

Symbols in the operating instructions

Danger

Immediate danger that can cause severe injury or even death.

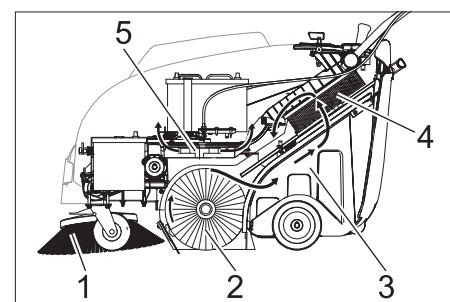
Warning

Possible hazardous situation that could lead to severe injury or even death.

Caution

Possible hazardous situation that could lead to mild injury to persons or damage to property.

Function



The sweeper operates using the overthrow principle.

- The side brushes (1) clean the corners and edges of the surface and move dirt and debris into the path of the roller brush.
- The rotating roller brush (2) moves the dirt and debris directly into the waste container (3).
- The dust raised in the container is separated by the dust filter (4) and the filtered clean air is drawn off by the suction fan (5).

Proper use



Use this sweeper only as directed in these operating instructions.

- The machine with working equipment must be checked to ensure that it is in proper working order and is operating safely prior to use. Otherwise, the appliance must not be used.
- This sweeper has been designed to sweep dirt and debris from indoor as well as outdoor surfaces.
- The appliance is not intended for street cleaning.
- The machine is not suitable for vacuuming dust which endangers health.
- The machine may not be modified.
- Never vacuum up explosive liquids, combustible gases or undiluted acids and solvents. This includes petrol, paint thinner or heating oil which can generate explosive fumes or mixtures upon contact with the suction air. Acetone, undiluted acids and solvents must also be avoided as they can harm the materials on the machine.
- Do not sweep/vacuum up any burning or glowing objects.
- The machine is only suitable for use on the types of surfaces specified in the operating instructions.
- The machine may only be operated on the surfaces approved by the company or its authorised representatives.
- The machine may not be used or stored in hazardous areas. It is not allowed to use the appliance in hazardous locations.
- The following applies in general: Keep highly-flammable substances away from the appliance (danger of explosion/fire).

Suitable surfaces

- Asphalt
- Industrial floor
- Screed
- Concrete
- Paving stones
- Carpet

Environmental protection

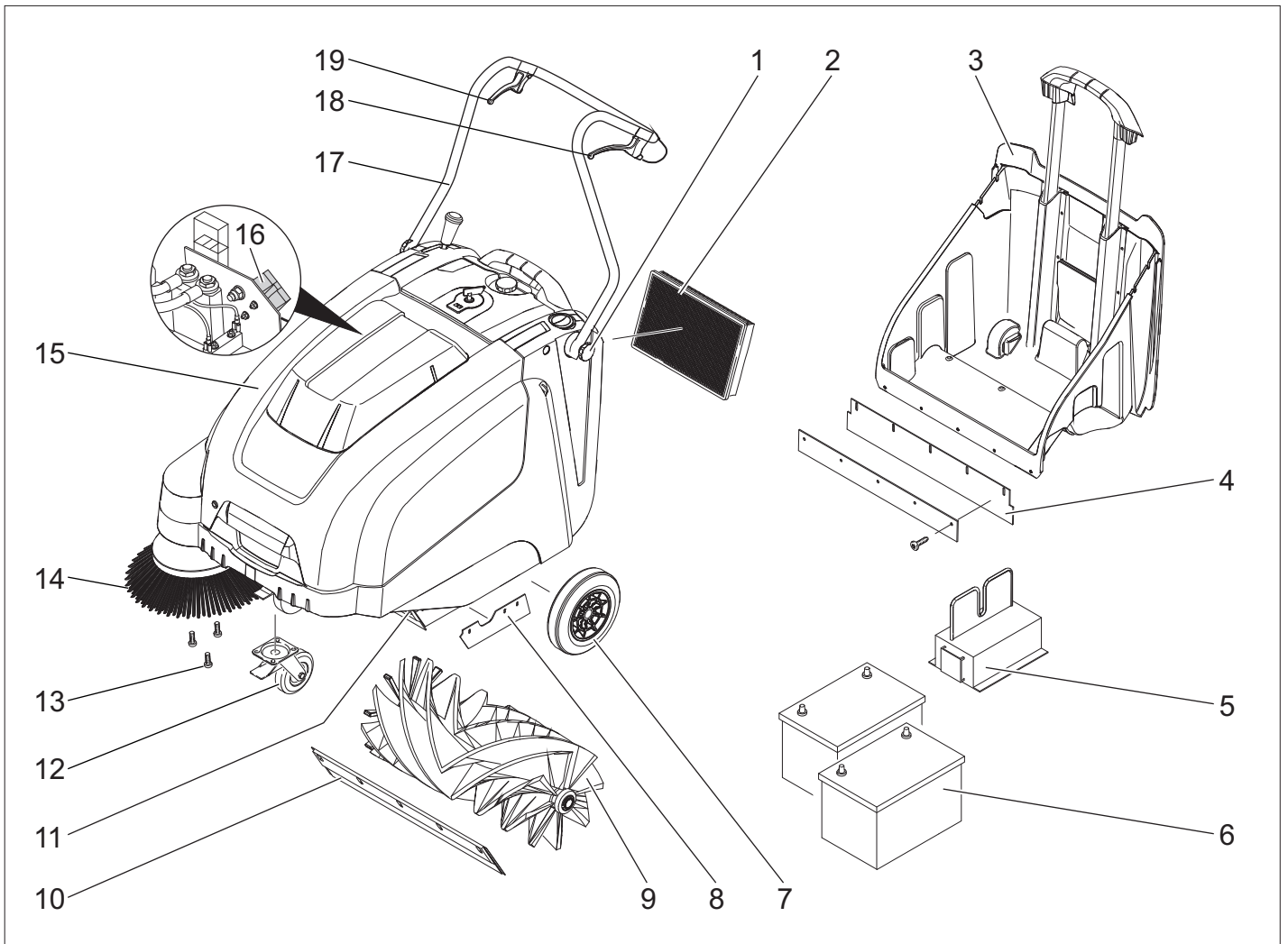
	The packaging material can be recycled. Please do not throw the packaging material into household waste; please send it for recycling.
	Old appliances contain valuable materials that can be recycled; these should be sent for recycling.. Batteries and accumulators contain substances that must not enter the environment. Please dispose off old devices, batteries and rechargeable batteries through suitable waste collection systems.

Notes about the ingredients (REACH)

You will find current information about the ingredients at:

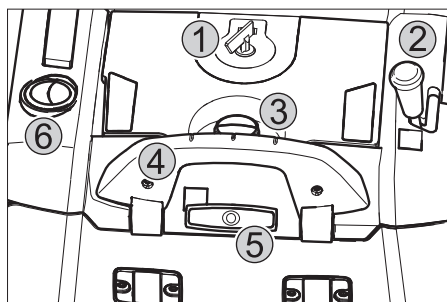
www.kaercher.com/REACH

Operating and Functional Elements



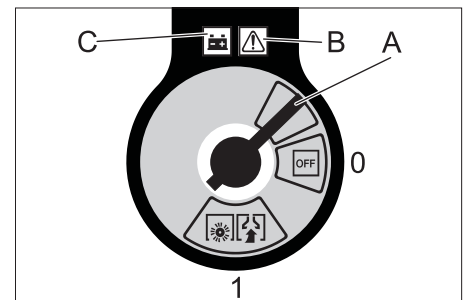
- 1 Fastening screw for slider
- 2 Dust filter
- 3 Waste container
- 4 Rear sealing strip (at the waste container)
- 5 Charger (only Bp Pack model)
- 6 Batteries (only Bp Pack model)
- 7 Drive wheels
- 8 Side sealing strip
- 9 Roller brush
- 10 Front sealing strip
- 11 Bulk waste flap
- 12 Steering roller with fixed position brake
- 13 Fastener of the side brush
- 14 Side brushes
- 15 Cover
- 16 Battery charge plug (only Bp model)
- 17 Push handle
- 18 Lever for forward drive
- 19 Lever to raise and lower the bulk waste flap

Operating field



- 1 Main switch
- 2 Lever for lowering and raising the side brush
- 3 Locking screw of the dust filter cover
- 4 Locking bow of the waste container
- 5 Filter cleaning for dust filter
- 6 Wet/dry flap

Main switch

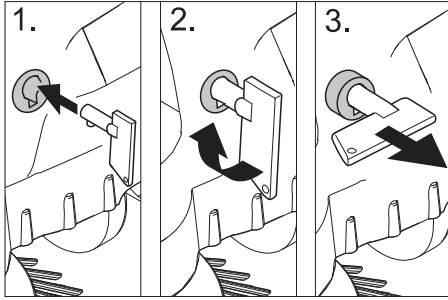


0/OFF	Motor off
1	Motor on
A	Remove the key
B	Fault indication
C	Battery display

Remove the key:
Turn the main switch using "0" position and pull it out.

Open the device hood.

Note: The hood is unlocked with the same key as the main switch.



- ➔ Insert the key for the main switch into the hood lock and rotate in a clockwise direction by 90°.
- ➔ Pull the hood lock out by the key.
- ➔ Open the device hood.

Close device hood

- ➔ Close the appliance cover, the cover lock will lock automatically.

Before Startup

Unloading

To unload the machine, proceed as follows:

- ➔ Remove the cardboard.
- ➔ Remove the wooden blocks that secure the wheels and raise the device from the pallette by hand.
- ➔ Release parking brake.

Installing the pushing handle

- ➔ Loosen the fastening screws.
- ➔ Align the pushing handle.
- ➔ Tighten the fastening screws.

Install side brush

Note: Remove the waste container and move the pushing handle to the front prior to tilting the appliance. Do not rest the appliance on the pushing handle.

- ➔ Clip side brush on to driver and screw on.

Batteries

Safety notes regarding the batteries

Please observe the following warning notes when handling batteries:

	Observe the directions on the battery, in the instructions for use and in the vehicle operating instructions!
	Wear an eye shield!
	Keep away children from acid and batteries!
	Risk of explosion!

	Fire, sparks, open light, and smoking not allowed!
	Danger of causticization!
	First aid!
	Warning note!
	Disposal!
	Do not throw the battery in the dustbin!

⚠ Danger

Risk of explosion! Do not put tools or similar on the battery, i.e. on the terminal poles and cell connectors.

⚠ Danger

Risk of injury! Ensure that wounds never come into contact with lead. Always clean your hands after having worked with batteries.

⚠ Danger

Risk of fire and explosion!

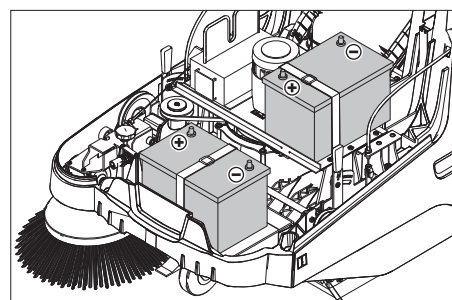
- Smoking and naked flames are strictly prohibited.
- Rooms where batteries are charged must have good ventilation because highly explosive gas is emitted during charging.

⚠ Danger

Danger of causticization!

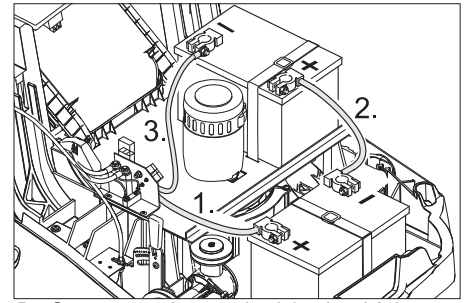
- Rinse thoroughly with lots of clear water if acid gets into the eye or comes in contact with the skin.
- Then consult a doctor immediately.
- Wash off the acid if it comes in contact with the clothes.

Installing and connecting the batteries



Note: The Bp Pack model contains a built-in battery and charger.

- ➔ Open the device hood.
- ➔ Set the batteries on to the motor carrier.
- ➔ Secure the batteries with the holding strap.



- ➔ Connect pole terminal (red cable) to positive pole (+).
- ➔ Fit the connection wires to the batteries.
- ➔ Connect pole terminal to negative pole (-).

Note: Check that the battery pole and pole terminals are adequately protected with pole grease.

Caution

Charge the batteries before commissioning the machine.

Charge the batteries

⚠ Danger

Risk of electric shock. Observe supply network and fuse protection. Only use the charger in dry rooms with sufficient ventilation.

Note: The charging time for an empty battery is approx. 12 hours.

⚠ Danger

Risk of injury! Comply with safety regulations on the handling of batteries. Observe the directions provided by the manufacturer of the charger.

(1) Charging process for Bp Pack model

⚠ Danger

Risk of injury! The charger should be used only if the mains cable is in an undamaged state. Get the manufacturer, the customer service agent or a qualified person to immediately replace a damaged mains cable.

Note: Normally, the machine is equipped with maintenance-free batteries.

- ➔ Open the device hood.
- ➔ Insert the plug of the charger into the socket.

Note: The charger has electronic controls and automatically switches off the charging process. All functions of the machine are automatically interrupted during the charging process.

The battery display shows the progress of the charging process when the plug is inserted:



Batteries are being charged	glows yellow
Batteries are charged	glows green

Fault display:



Charger or motor control malfunction	glows red
--------------------------------------	-----------

(2) Charging process for Bp model

- Open the device hood.
- Insert the charging cable of the charger in the charger box of the sweeper
- Plug in mains connector and switch on charger.

After charging

■ Bp Pack model:

- Disconnect the mains plug.
- Wrap the mains cord around the cable holder of the charger.

- Close cover.

■ Bp model:

- Switch off the charger and remove the plug from the socket.
- Hang out the charging cable out of the machine.
- Close cover.

Remove the battery

- Open the device hood.
- Disconnect pole terminal to negative pole (-).
- Unscrew the connection wires from the batteries.
- Disconnect pole terminal to positive pole (-).
- Loosen the holding strap.
- Remove the battery.
- Dispose of the used battery according to the local provisions.

Recommended batteries, chargers

	Order number
Battery 60 Ah	6.654-226.0
Charger	6.654-225.0

Batteries and chargers are available in specialised stores.

Maximum battery dimensions

Length	Width	Height
267 mm	177 mm	190 mm

Start up

General notes

⚠ Danger

Risk of injury! Switch off the appliance prior to removing the waste container.

Note: Start the appliance only when the hood is closed.

- Park the sweeper on an even surface.
- Switch off engine.
- Lock parking brake.

Inspection and maintenance work

- Check charging status of battery.
- Check side brush.
- Check roller brush.
- Shake off dust filter.
- Empty waste container.

Note: For description, see section on Care and maintenance.

Operation

Starting the machine

- Release parking brake.

Start the motor.

- Turn the main switch to position "1".

Note: The roller brush and the side brush will rotate.

Drive the machine

Drive forward

- Pull the lever for forward drive.

Note: The drive speed for forward drive can be adjusted steplessly depending on the position of the lever.

Dry run

- Release the lever for forward drive. Device comes to a halt.

Driving over obstacles

Driving over fixed obstacles which are 30 mm high or less:

- Raise bulk waste flap.
- Drive forwards slowly and carefully.

Driving over fixed obstacles which are more than 30 mm high:

- Only drive over these obstacles using a suitable ramp.

Sweeping mode

⚠ Danger

Risk of injury! If the bulk waste flap is open, stones or gravel may be flung forwards by the roller brush. Make sure that this does not endanger persons, animals or objects.

Caution

Do not sweep up packing strips, wire or similar objects as this may damage the sweeping mechanism.

Note: To achieve an optimum cleaning result, the driving speed should be adjusted to take specific situations into account.

Sweeping with bulk waste flap raised

Note: To sweep up larger items up to a height of 50 mm, e.g. cigarette packs, the bulk waste flap must be raised briefly.

Raising bulk waste flap:

- Pull the lever for raising the bulk waste flap.

Lowering the bulk waste flap:

- Release the lever for raising the bulk waste flap.

Note: An optimum cleaning result can only be achieved if the bulk waste flap has been lowered completely.

Sweeping with side brushes



- Move the lever to lower the side brush to the front. The side brush will be lowered.

Sweeping dry floors

Note: During operation, the waste container should be emptied at regular intervals.

Note: During operation, the dust filter should be shaken off and cleaned at regular intervals.



- Close wet/dry flap

Sweeping damp or wet floors

- Open wet/dry flap.

Note: This protects the filter from moisture.

Battery display

The battery display shows the charging status of the batteries during operation:



full	glows green
30% capacity remaining	glows yellow
10% capacity remaining	blinks red
Protection against total discharge; the appliance is switched off	glows red

Cleaning the dust filter



- Pull the handle of the filter clean-off out several times and reinsert it.

Emptying waste container

⚠ Danger

Risk of injury! Switch off the appliance prior to removing the waste container.

Note: Make sure the seal strip is not damaged while emptying the waste container.

Note: The max. load of the waste container is 40 kg.

- Shake off dust filter.
- Pull lock bow of the waste container upward.
- Pull out the waste container.
- Empty waste container.
- Push in the waste container.
- Push lock bow of the waste container downward.

Turn off the appliance

Switch off engine.

- Turn the main switch to position "0".



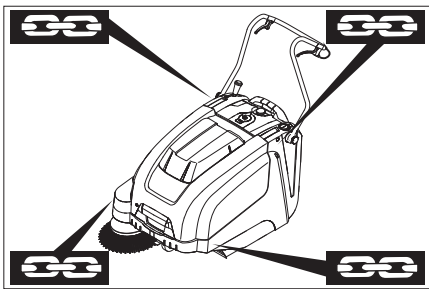
- The side-brushes lift up.
- Lock parking brake.
- Turn the main switch using "0" position and pull it out.

Transport

⚠ Danger

Risk of injury and damage! Observe the weight of the appliance when you transport it.

- Switch off engine.
- Turn the main switch using "0" position and pull it out.
- Lock parking brake.
- Secure the wheels of the machine with wheel chocks.
- Secure the machine with tensioning straps or cables.
- When transporting in vehicles, secure the appliance according to the guidelines from slipping and tipping over.



1 Fastening area above the pushing handle

2 Fastening area under the device hood

Note: Observe markings for fixing points on base frame (chain symbols).

Note: Do not kink the bowden or sheathed cables.

Storage

⚠ Danger

Risk of injury and damage! Note the weight of the appliance in case of storage.

Shutdown

If the sweeper is going to be out of service for a longer time period, observe the following points:

- Park the sweeper on an even surface.
- Switch off engine.
- Turn the main switch using "0" position and pull it out.
- Lock parking brake.
- Lock the sweeper to ensure that it does not roll off.
- Raise roller brush. Thus, engage both adjustment levers in the top boring.
- The side-brushes lift up.
- Clean the inside and outside of the sweeper.
- Park the machine in a safe and dry place.
- Disconnect batteries.
- Charge batteries and recharge approx. every 2 months.

Maintenance and care

General notes

- Maintenance work may only be carried out by approved customer service outlets or experts in this field who are familiar with the respective safety regulations.
- Mobile appliances used for commercial purposes are subject to safety inspections according to VDE 0701.

Cleaning

Caution

Risk of damage! Do not clean the appliance with a water hose or high-pressure water jet (danger of short circuits or other damage).

Cleaning the inside of the machine

⚠ Danger

Risk of injury! Wear dust mask and protective goggles.

- Open the device hood.
- Clean machine with a cloth.
- Blow through machine with compressed air.
- Close cover.

External cleaning of the appliance

- Clean the machine with a damp cloth which has been soaked in mild detergent.

Note: Do not use aggressive cleaning agents.

Maintenance intervals

Maintenance by the customer

Daily maintenance:

- Check the sweeping roller and the side brush for wear and wrapped belts.
- Check function of all operator control elements.
- Check functioning of all indicator lamps.

Weekly maintenance:

- Check tension, wear and tear and functioning of the drive belts.
- Check for smooth running of the Bowden cables and the moveable parts
- Check the sealing strips in the sweeping area for position and wear.
- Check the sweeping track of the sweeping roller.
- Clean the dust filter.

Note: For description, see section on Maintenance work.

Note: Where maintenance is carried out by the customer, all service and maintenance work must be undertaken by a qualified specialist. If required, a specialised Kärcher dealer may be contacted at any time.

Maintenance by Customer Service

Maintenance after the first month or 5 operating hours:

- Carry out initial inspection.

Maintenance to be carried out every 50 operating hours

Maintenance to be carried out every 100 operating hours or every six months
Maintenance to be carried out every 300 operating hours

Maintenance to be carried out every 500 operating hours or annually

Note: In order to safeguard warranty claims, all service and maintenance work during the warranty period must be carried out by the authorised Kärcher Customer Service in accordance with the maintenance booklet.

Maintenance Works

Preparation:

- Park the sweeper on an even surface.
- Turn the main switch using "0" position and pull it out.
- Lock parking brake.

General notes on safety

⚠ Danger

Risk of injury!

The engine requires approx. 3-4 seconds to come to a standstill once it has been switched off. During this time, stay well clear of the working area.

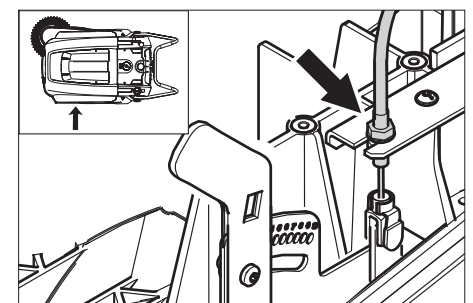
- Pull out the battery plug or clamp the batteries while working on the electrical unit.
- Allow the machine sufficient time to cool down before carrying out any maintenance and repair work.
- Do not touch any hot parts, such as the drive motor.

Note: Remove the waste container and move the pushing handle to the front prior to tilting the appliance. Do not rest the appliance on the pushing handle.

- Switch off the appliance prior to cleaning and performing any maintenance tasks or replacing parts.

Adjust the Bowden cable of the acceleration drive

This must be adjusted if the drive performance of the appliance becomes insufficient when driving uphill.



- Loosen counter-nut.
- Adjust the adjustment screw.
- Tighten the counter-nut.

Checking roller brush

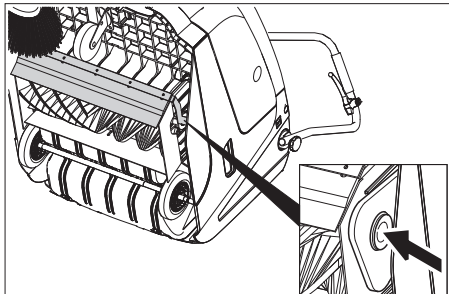
- Lock parking brake.
- Remove the waste container.
- Remove belts or cords from roller brush.

Replacing roller brush

Replacement is due if a visible deterioration in sweeping performance caused by bristle wear is evident.

Note: Remove the waste container and move the pushing handle to the front prior to tilting the appliance. Do not rest the appliance on the pushing handle.

- Lock parking brake.
- Remove the waste container.
- Tilt the appliance rearward.



- Lift the waste flap, press in the bearing cap and swivel the roller brush toward the front.
- Pull out roller brush.
- Attach the new roller brush to the drive pin (left).
- Engage the bearing cup into the boring of the roller brush swinging arm on the opposite side.

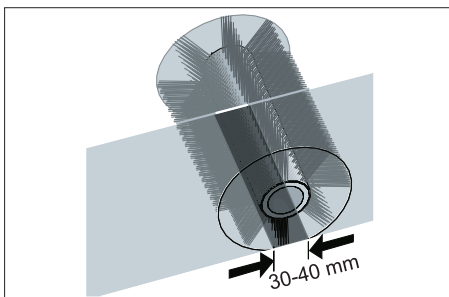
Caution

Risk of damage! Make sure that no bristles are jammed into the boring of the roller brush swinging arm.

Note: Once the new roller brush has been installed, the sweeping track must readjusted.

Check and adjust roller brush sweeping track

- Raise the sweeper from the front and drive it on to a smooth, even surface covered with a visible layer of dust or chalk.
- Lock parking brake.
- Let the sweeping roller rotate for approx. 15-30 seconds.
- Raise the sweeper at the front and drive it towards the side.

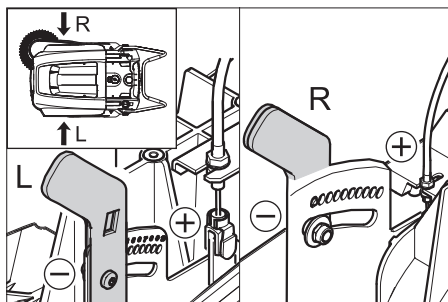


The sweeping track should have an even rectangular shape which is between 30 and 40 mm wide.

Setting range	(-) 1...10 (+)
Minimum sweeping track	1
Maximum sweeping track	10
New roller brush	1...3

Adjust sweeping track:

- Adjust the left and right adjustment levers and engage into the same boring.



- Engage adjustment lever into the lower boring (+): Sweeping track becomes bigger
- Engage the adjustment lever into the upper boring (-): Sweeping track becomes smaller
- Check sweeping mirror.

Replacing side brush

Replacement is due if a visible deterioration in sweeping performance caused by bristle wear is evident.

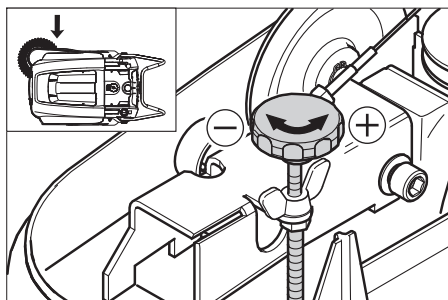
Note: Remove the waste container and move the pushing handle to the front prior to tilting the appliance. Do not rest the appliance on the pushing handle.

- Unscrew 3 screws from the underside of the side brush.
- Remove the wiper blade.
- Clip new side brushes on to driver and screw on.

Adjust side-brush lowering

Adjustment is necessary if a visible deterioration in sweeping performance caused by side-brush is evident.

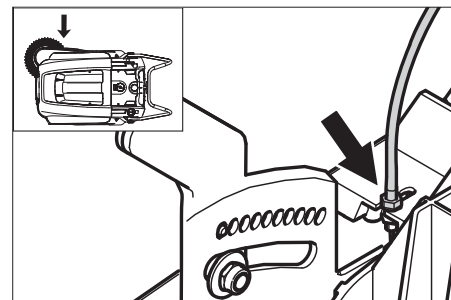
- Release the wing nut.



- Adjust the adjustment screw.
- Tighten the wing nut.

Adjust the raising of the bulk waste flap

- Adjustment is necessary if the bulk waste flap cannot be raised wide enough.
- The Bowden cable needs to be released a little if the sweeper results become poorer, for e.g. due to the wearing of the front lip.



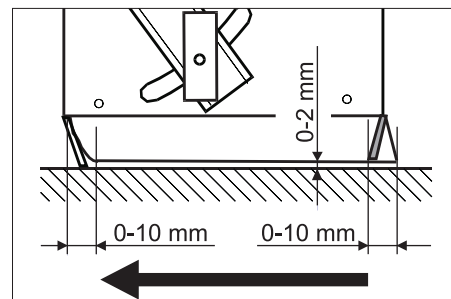
- Loosen counter-nut.
- Adjust the adjustment screw.
- Tighten the counter-nut.

Adjusting and replacing sealing strips

Note: Remove the waste container and move the pushing handle to the front prior to tilting the appliance. Do not rest the appliance on the pushing handle.

Front sealing strip

- Loosen the fastening screws of the sealing strip.
- Adjust or replace sealing strip.



- Set the distance between the sealing strip and the floor so that the bottom edge trails behind at a distance of between 0-10 mm.
- Adjust sealing strip.
- Tighten the fastening of the sealing strip.

Rear sealing strip

- Remove the waste container.
- Loosen the fastening screws of the sealing strip.
- Adjust or replace sealing strip.
- Set the distance between the sealing strip and the floor so that the bottom edge trails behind at a distance of between 0-10 mm.
- Tighten the fastening of the sealing strip.

Side sealing strips

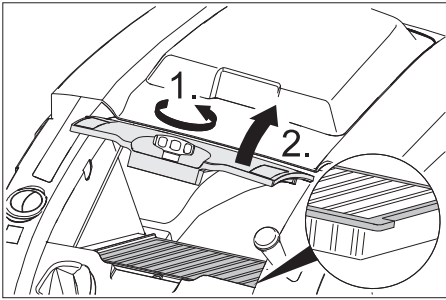
- Loosen the fastening screws of the sealing strip.
- Adjust or replace sealing strip.
- To set the floor clearance, insert a sheet with a thickness of max. 2 mm under the sealing strip.
- Adjust sealing strip.
- Tighten the fastening of the sealing strip.

Replacing dust filter

⚠ Warning

Empty waste container before replacing dust filter. Wear a dust mask when working around the dust filter. Observe safety regulations on the handling of fine particulate material.

- Lock parking brake.
- Shake off dust filter.



- Open the locking screw of the dust filter cover in an anticlockwise direction.
- Lift the dust filter cover.
- Replace dust filter. Make sure the dust filter is inserted correctly (see figure).
- Screw in the locking screw all the way.

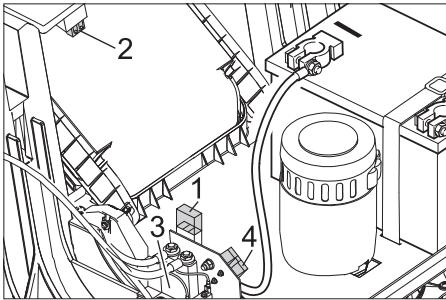
Caution

If the locking screw is not tightened all the way, there may be damages.

Note: Make sure when installing the new filter that the fins are not damaged.

Replace fuse/ relay

■ **Bp model:**



- 1 Fuse F1 (50 A)
- 2 Fuse F2 (2 A)
- 3 Relay
- 4 Battery charge plug

→ Replace defective fuse or relay.

■ **Bp Pack model:**

The fuses are located in the charger.

Accessories

Side-brushes, soft	6.905-626.0
For fine dust on inside surfaces; wetness resistant.	
Roller-brush, soft	6.906-886.0
With natural bristles especially for fine dust sweeping on smooth indoor floors. Not resistant to wetness; not for abrasive surfaces.	
Roller-brush, hard	6.906-885.0
For removing stubborn dirt in the external area; resistant to moisture.	
Roller brush, antistatic	6.906-950.0
Carpet sweeping unit	2.641-571.0
Includes: Lint trap, antistatic roller brush, triple steering roller	

EC Declaration of Conformity

We hereby declare that the machine described below complies with the relevant basic safety and health requirements of the EU Directives, both in its basic design and construction as well as in the version put into circulation by us. This declaration shall cease to be valid if the machine is modified without our prior approval.

Product: Vacuum sweeper
Type: 1.049-xxx

Relevant EU Directives

2006/42/EC (+2009/127/EC)
 2004/108/EC
 2000/14/EC

Applied harmonized standards

EN 55014-1: 2006 + A1: 2009
 EN 55014-2: 1997 + A2: 2008
 EN 60335-1
 EN 60335-2-72
 EN 62233: 2008
 KM 75/40 W Bp Pack:
 EN 60335-2-29
 EN 61000-3-2: 2006 + A2: 2009
 EN 61000-3-3: 2008

Applied national standards

Applied conformity evaluation method


2000/14/EC: Appendix V


Sound power level dB(A)

Measured: 79

Guaranteed: 81

The undersigned act on behalf and under the power of attorney of the company management.


 H. Jenner
 CEO


 S. Reiser
 Head of Approbation

Authorised Documentation Representative
 S. Reiser

Alfred Kärcher GmbH Co. KG
 Alfred-Kärcher-Str. 28 - 40
 71364 Winnenden (Germany)
 Phone: +49 7195 14-0
 Fax: +49 7195 14-2212

Warranty

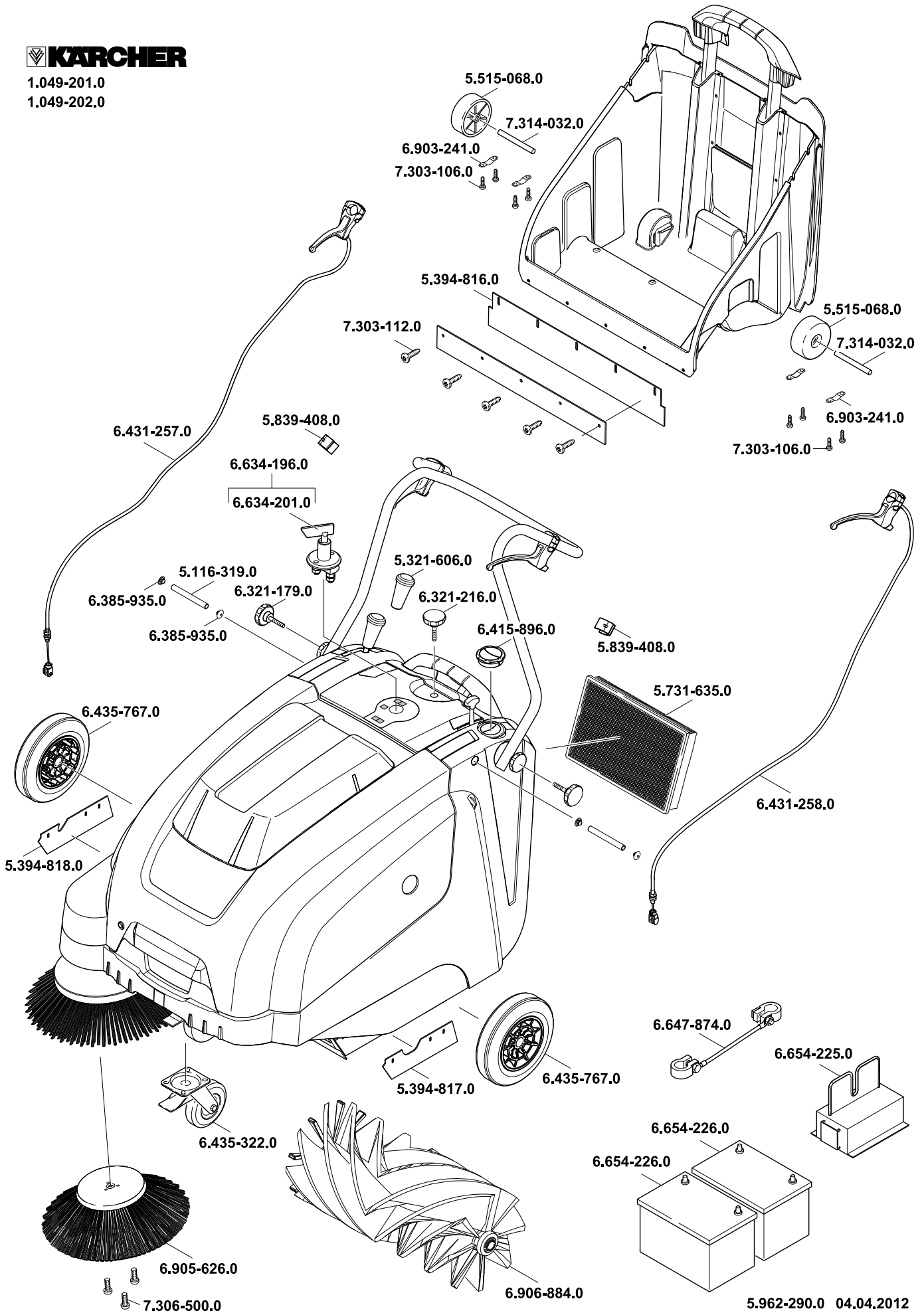
The warranty terms published by the relevant sales company are applicable in each country. We will repair potential failures of your appliance within the warranty period free of charge, provided that such failure is caused by faulty material or defects in manufacturing. In the event of a warranty claim please contact your dealer or the nearest authorized Customer Service centre. Please submit the proof of purchase.

Troubleshooting

Fault	Remedy
Appliance cannot be started	Close appliance hood
	Charge the batteries
	Check overload fuse
	Inform Kärcher Customer Service.
Engine is running but machine is not moving	Adjust the Bowden cable of the acceleration drive
	Checking the V-Belt
	Inform Kärcher Customer Service.
Device comes to halt while climbing a slope	Drive over a path with lesser slope
	Check overload fuse
	Adjust the Bowden cable of the acceleration drive
	Checking the V-Belt
	Inform Kärcher Customer Service.
The brush roller stops, fault display illuminates red	Turn the main switch to "OFF", check brush for obstructing objects. If applicable, use on a less inclined surface. Turn on the main switch. After repeating this process four times, the control will initiate a forced break of 2 minutes to cool off. During this period the appliance cannot be started.
Machine is not sweeping properly	Check roller brush and side brushes for wear, replace if necessary.
	Check function of bulk waste flap
	Release the Bowden cable of the bulk waste flap (adjustment screw)
	Check belts for tension and functioning; replace, if required
	Adjust roller mirror
	Replacing roller brush
	Inform Kärcher Customer Service.
Dust gathers in the machine	Check function of bulk waste flap
	Release the Bowden cable of the bulk waste flap (adjustment screw)
	Check dust filter, clean or replace
	Empty waste container
	Replace sealing profile at the waste container
	Check the seal on the dust filter
	Check sealing strips for wear, adjust or replace as required
Poor cleaning performance at edges	Adjust side-brush lowering
	Replace side brush
	Lower the side brushes
	Check the drive belt of the side brush
	Inform Kärcher Customer Service.
Side-brush raising does not function	Check Bowden cable of the side-brush raising
	Inform Kärcher Customer Service.
The new roller brush brushes against the waste container	Correct the setting of the sweep track; for this, engage both adjustment levers into the upper boring (1...3)

Technical specifications

		KM 75/40 W Bp	KM 75/40 W Bp Pack
Machine data			
Length x width x height (pushing handle unfolded)	mm	1430 x 750 x 1190	1430 x 750 x 1190
Length x width x height (pushing handle folded in)	mm	1160 x 750 x 930	1160 x 750 x 930
Weight (without batteries)	kg	79	79
Weight (with batteries)	kg	125	125
Driving and sweeping speed	km/h	4,5	4,5
Climbing capability (max.)	%	12	12
Roller brush diameter	mm	265	265
Side brush diameter	mm	410	410
Surface area, max.	m ² /h	3400	3400
Working width without side brushes	mm	550	550
Working width with side-brush	mm	750	750
Volume of waste container	l	40	40
Protection type, drip-proof	--	IPX 3	IPX 3
Engine			
Type	--	DC permanent solenoid motor Direction of rotation, right	
Voltage	V	24	24
Rated current	A	22	22
Rated power	W	400	400
Speed	1/min	2750	2750
Type of protection	--	IP 20	IP 20
Battery			
Type	--	--	2x 12 V GiV
Capacity	Ah	--	60 (5h)
Weight	kg	--	23
Charging time for fully discharged battery	h	--	12
Operating time after frequent charging	h	--	ca. 1,5-2
Electrical fuses			
Central	A	50	50
Fuse for controls	A	2	--
Protection against total discharge	--	via relay	via relay
Filter and vacuum system			
Filter surface area, fine dust filter	m ²	1,8	1,8
Category of use – filter for non-hazardous dust	--	L	L
Nominal vacuum, suction system	mbar	5	5
Nominal volume flow, suction system	l/s	45	45
Working conditions			
Temperature	°C	-5 and +40	-5 and +40
Air humidity, non-condensing	%	0 - 90	0 - 90
Values determined as per EN 60335-2-72			
Noise emission			
Sound pressure level L _{pA}	dB(A)	64	64
Uncertainty K _{pA}	dB(A)	2	2
Sound power level L _{WA} + Uncertainty K _{WA}	dB(A)	81	81
Machine vibrations			
Hand-arm vibration value	m/s ²	<2,5	<2,5
Uncertainty K	m/s ²	0,2	0,2



AE Kärcher FZE, P.O. Box 17416, Jebel Ali Free Zone (South), Dubai, United Arab Emirates,
☎+971 4 886-1177, www.kaercher.com

AR Kärcher S.A., Uruguay 2887 (1646) San Fernando, Pcia. de Buenos Aires
☎+54-11 4506 3343, www.karcher.com.ar

AT Alfred Kärcher Ges.m.b.H., Lichtblaustraße 7, 1220 Wien,
☎+43-1-25060-0, www.kaercher.at

AU Kärcher Pty. Ltd., 40 Koornang Road, Scoresby VIC 3179, Victoria,
☎+61-3-9765-2300, www.karcher.com.au

BE Kärcher N.V., Industrieweg 12, 2320 Hoogstraten,
☎+32-3-340 07 11, www.karcher.be

BR Kärcher Indústria e Comércio Ltda., Av. Professor Benedito Montenegro no 419, Betel, Paulínia - Estado de Sao Paulo, CEP 13.140-000
☎+55-19-3884-9100, www.karcher.com.br

CA Kärcher Canada Inc., 6535 Millcreek Road, Unit 67, Mississauga, ON, L5N 2M2,
☎+1-905-672-8233, www.karcher.ca

CH Kärcher AG, Industriestrasse, 8108 Dällikon, Kärcher SA, Croix du Péage, 1029 Villars-Ste-Croix,
☎0844 850 864, www.kaercher.ch

CN Kärcher (Shanghai) Cleaning Systems, Co., Ltd., Part F, 2nd Floor, Building 17, No. 33, XI YA Road, Waigaogiao Free Trade, Pudong, Shanghai, 200131
☎+86-21 5076 8018, www.karcher.cn

CZ Kärcher spol. s r.o., Modletice c.p. 141, CZ-251 01 Ricany,
☎+420/323/606 014, www.kaercher.cz

DE Alfred Kärcher Vertriebs-GmbH, Friedrich-List-Straße 4, 71364 Winnenden,
☎+49-7195/903-0, www.kaercher.de

DK Kärcher Rengøringsystemer A/S, Helge Nielsens Alle 7 A, 8723 Løsning,
☎+45-70206667, www.karcher.dk

ES Kärcher, S.A., Pol. Industrial Font del Radium, Calle Josep Trueta, 6-7, 08403 Granollers (Barcelona),
☎+34-902 17 00 68, www.karcher.es

F Kärcher S.A.S., Z.A. des Petits Carreaux, 5, avenue des Coquelicots, 94865 Bonneuil-sur-Marne,
☎+33-1-4399-6770, www.karcher.fr

FI Kärcher OY, Yrittäjätie 17, 01800 Klaukkala,
☎+358-207 413 600, www.karcher.fi

GB Kärcher (U.K.) Ltd., Kärcher House, Beaumont Road, Banbury, Oxon OX16 1TB,
☎+44-1295-752-000, www.karcher.co.uk

GR Kärcher Cleaning Systems A.E., 31-33, Nikitara str. & Konstantinoupoleos str., 136 71 Aharnes,
☎+30-210-2316-153, www.karcher.gr

HK Kärcher Limited, Unit 10, 17/F., Apec Plaza, 49 Hoi Yuen Road, Kwun Tong, Kowloon,
☎++(852)-2357-5863, www.karcher.com.hk

HU Kärcher Hungaria KFT, Tormásrét ut 2., (Vendelpark), 2051 Biatorbagy,
☎+36-23-530-64-0, www.kaercher.hu

I Kärcher S.p.A., Via A. Vespucci 19, 21013 Gallarate (VA),
☎+39-848-998877, www.karcher.it

IE Kärcher Limited (Ireland), C1 Centrepoint Business Park, Oak Road, Dublin 12,
☎(01) 409 7777, www.kaercher.ie

JP Kärcher (Japan) Co., Ltd., Irene Kärcher Building, No. 2, Matsusaka-Daira 3-chome, Taiwa-cho, Kurokawa-gun, Miyagi 981-3408,
☎+81-22-344-3140, www.karcher.co.jp

KR Kärcher (Korea) Co. Ltd., 162 Gukhoe-daero, (872-2 Sinjeong-Dong), Seoul, Korea
☎02-322 6588, A/S. 1544-6577, www.karcher.co.kr

LV Kärcher SIA, Mārupes nov., Mārupe, Kārļa Ulmaņa gatve 101, Rīga, LV-1046
☎+371-67 80 87 07

MX Kärcher México, SA de CV, Av. Gustavo Baz No. 29-C, Col. Naucalpan Centro, Naucalpan, Edo. de México, C.P. 53000 México,
☎+52-55-5357-04-28, www.karcher.com.mx

MY Kärcher Cleaning Systems Sdn. Bhd., 71 & 73 Jalan TPK 2/8, Taman Perindustrian Kinrara, Seksyen 2, 47100 Puchong, Selangor Darul Ehsan
☎+603 8073 3000, www.karcher.com.my

NL Kärcher B.V., Postbus 474, 4870 AL Etten-Leur,
☎0900-33 666 33, www.karcher.nl

NO Kärcher AS, Stanseveien 31, 0976 Oslo, Norway,
☎+47 815 20 600, www.karcher.no

NZ Kärcher Limited, 12 Ron Driver Place, East Tamaki, Auckland, New Zealand,
☎+64 (9) 274-4603, www.karcher.co.nz

PL Kärcher Sp. z o.o., Ul. Stawowa 140, 31-346 Kraków,
☎+48-12-6397-222, www.karcher.pl

RO Kärcher Romania srl, Sos. Odaii 439, Sector 1, RO-013606 BUKAREST,
☎+40 37 2709001, www.kaercher.ro

RU Kärcher Ltd. Service Center, 105082, Москва, ул. Б.Почтовая, д. 40
☎+7-495 789 90 76, www.karcher.ru

SE Kärcher AB, Tagenevägen 31, 42502 Hisings-Kärä,
☎+46 (0)31-577 300, www.karcher.se

SGP Kärcher South East Asia Pte. Ltd., 5 Toh Guan Road East, #01-00 Freight Links Express Distripark, Singapore 608831,
☎+65-6897-1811, www.karcher.com.sg

SK Kärcher Slovakia, s.r.o., Beniaková 2, SK-94901 NITRA,
☎+421 37 6555 798, www.kaercher.sk

TR Kärcher Servis Ticaret A.S., Mahmudbey Mahallesi İstoç, Petrol Plaza C-Blok Kat: 2-3, Bağcılar, 34218 Istanbul
☎+90-232-252-0708, +90-232-251-3578, www.karcher.com.tr

TW Kärcher Limited, 7/F, No. 66, Jhongjijheng Rd., Sinjhuang City, Taipei County 24243, Taiwan,
☎+886-2-2991-5533, +886-800-666-825, www.karcher.com.tw

UA Kärcher Ltd., Petropavlivska Str., 4, Petropavlivska Borschagivka, Kyiv region, 08130,
☎+380 44 594 7576, www.karcher.com.ua

USA To locate your local dealer please visit our web site at <http://www.karchercommercial.com> or call us at 888.805.9852

ZA Kärcher (Pty) Ltd., 144 Kuschke Street, Meadowdale, Edenvale, 1614,
☎+27-11-574-5360, www.karcher.co.za