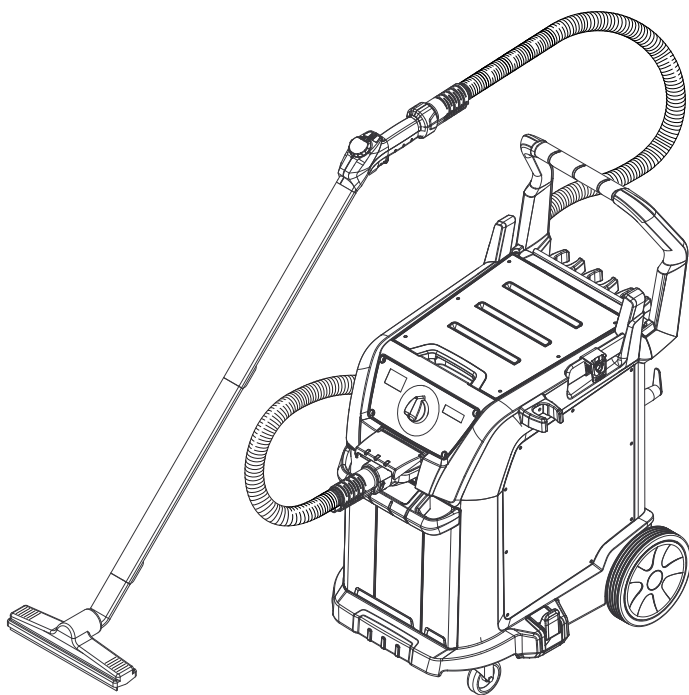


KÄRCHER

makes a difference

SGV 6/5
SGV 8/5

English	7
Français	22
Español	38

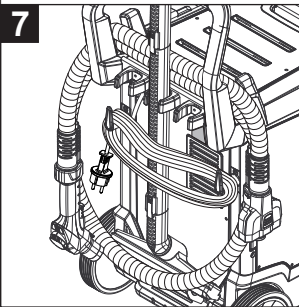
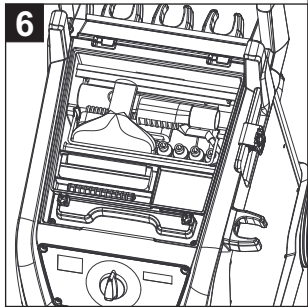
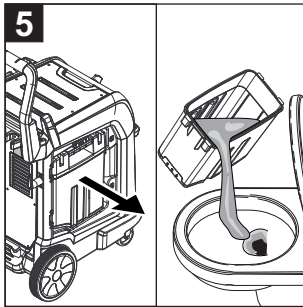
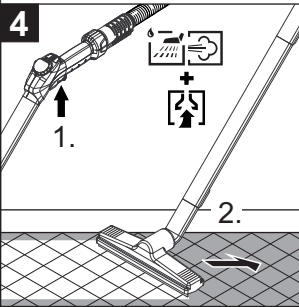
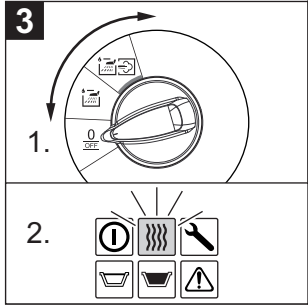
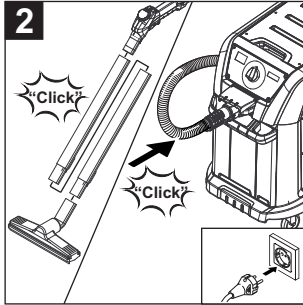
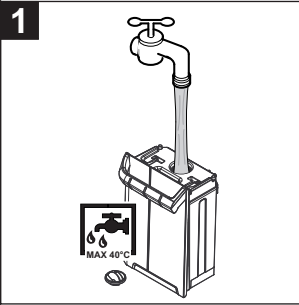



Register and win!
www.kärcher.com/register-and-win




59658000 03/16

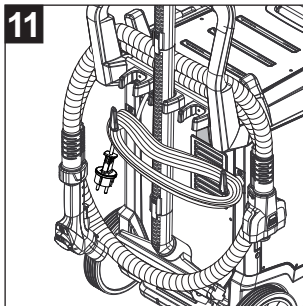
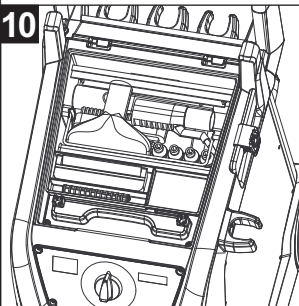
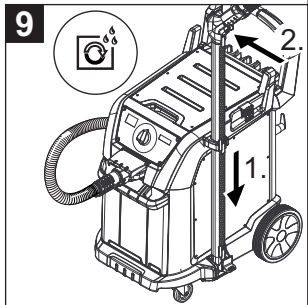
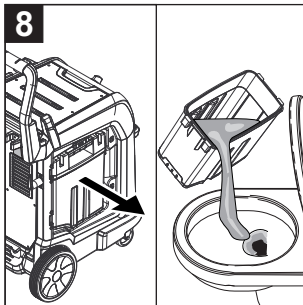
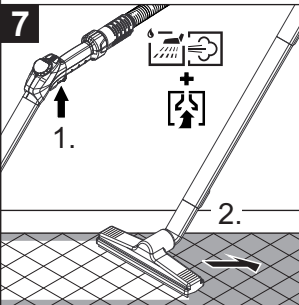
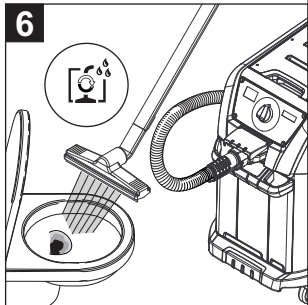
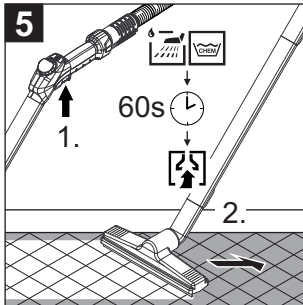
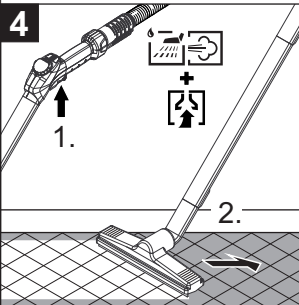
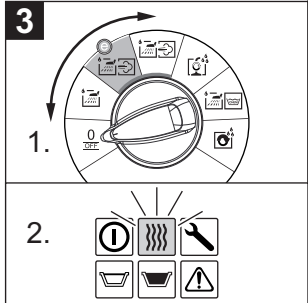
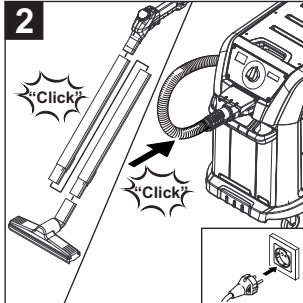
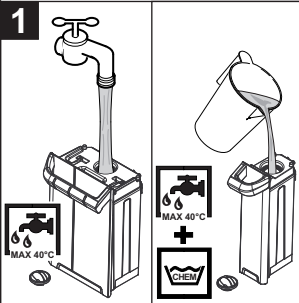
SGV 6/5








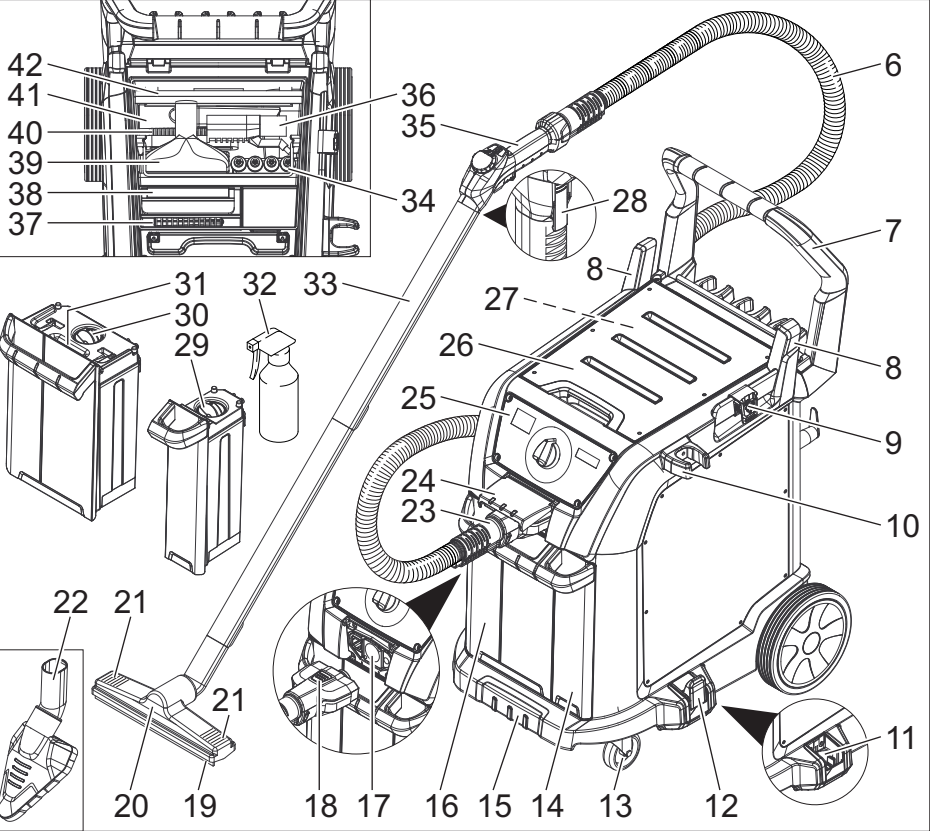
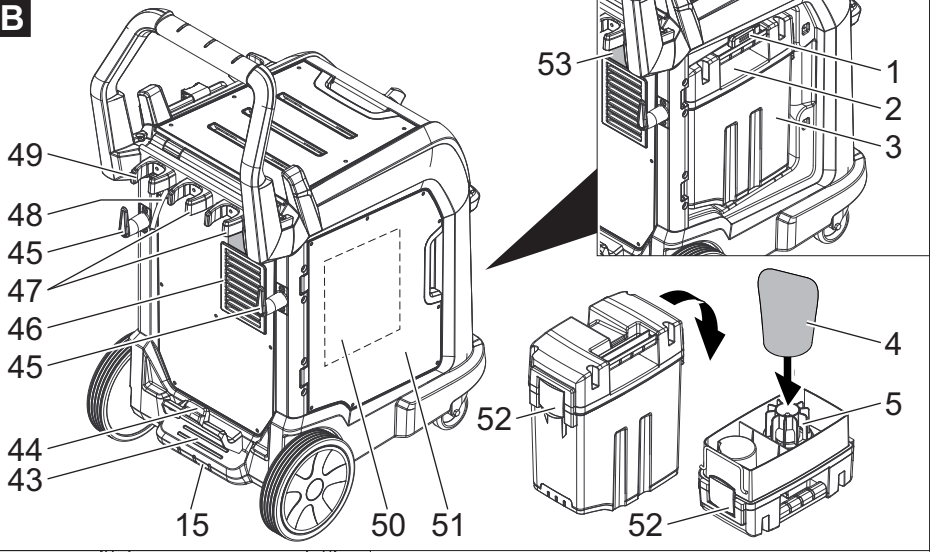

 Kaltwasser-/Saugbetrieb
 Cold water/suction operation
 Modo de agua fría/aspiración

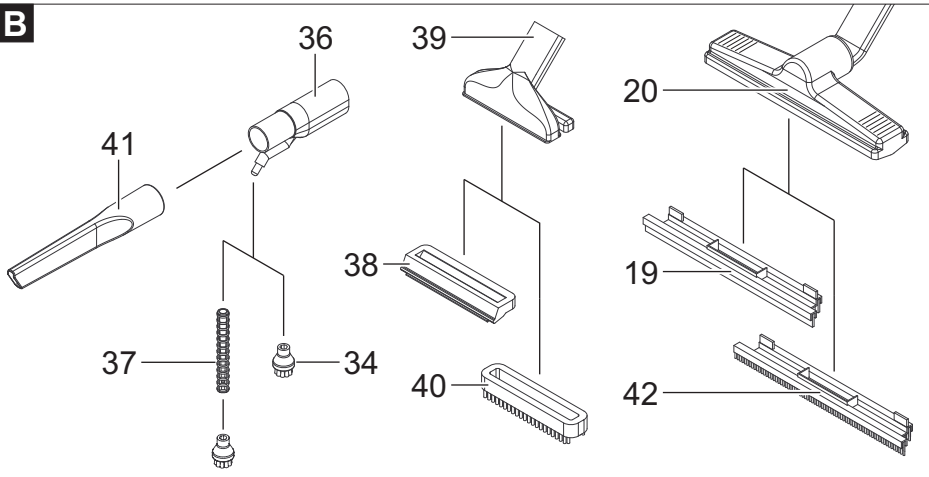
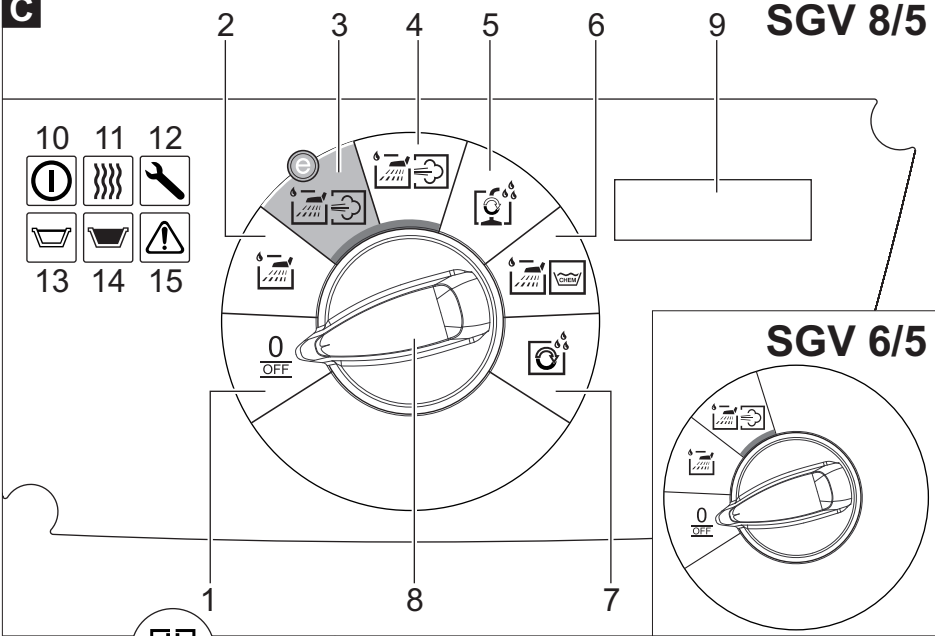
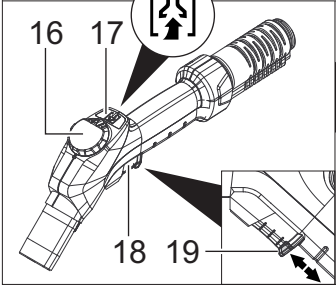
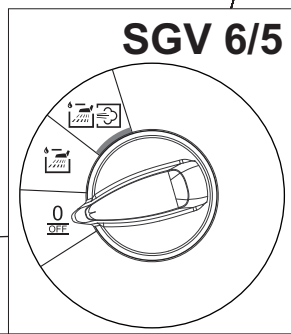

 Dampf-/Heißwasser-/
 Kaltwasser-/Saugbetrieb
 Steam/hot water/cold water/
 suction operation
 Modo de vapor/agua caliente/
 agua frío/aspiración

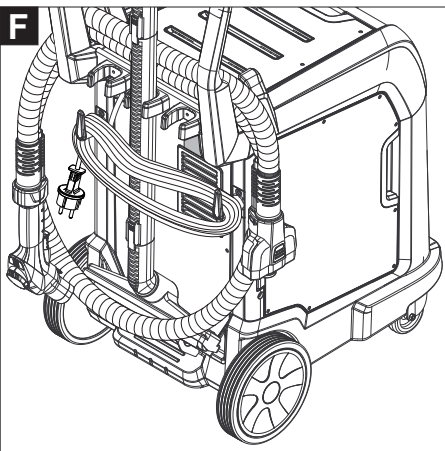
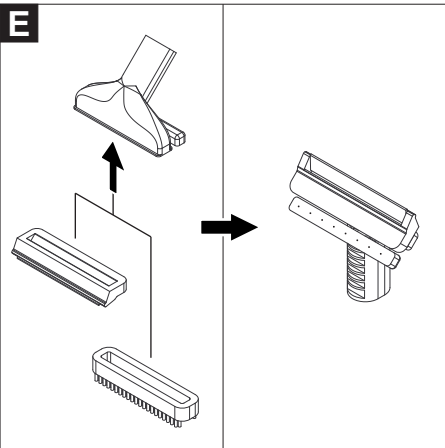
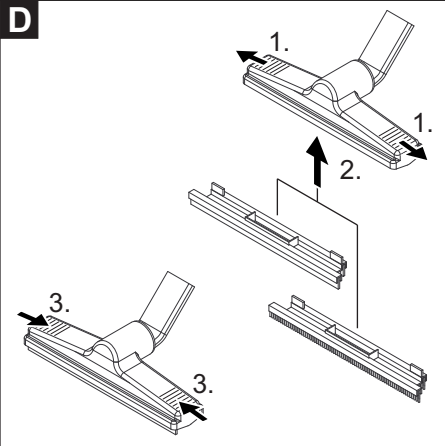
SGV 8/5



-  Kaltwasser-/Saugbetrieb
Cold water/suction operation
Modo de agua fría/aspiración
-  Dampf-/Heißwasser-/
Kaltwasser-/Saugbetrieb
Steam/hot water/cold water/
suction operation
Modo de vapor/agua caliente/
agua fría/aspiración
-  Spülen
Rinsing
Enjuagar
-  Reinigungsmittel-/Saugbetrieb
Detergent/suction operation
Modo de detergente/aspiración
-  Selbstreinigung
Self-cleaning
Autolimpieza

B

B**C****SGV 8/5****SGV 6/5**



IMPORTANT SAFETY INSTRUCTIONS

READ ALL INSTRUCTIONS BEFORE USING THIS MACHINE

- Inform your dealer immediately if there is any shipping damage.
- Completely remove the accessories from the box.
- The machine is not suitable for sucking up hazardous dusts as asbestos. Please consult your Kärcher branch or your Kärcher dealer with regard to such applications.
- Only operate the appliance from a grounded outlet. Refer to the Technical data for the necessary main fuse.
- Connect to a properly grounded outlet only. See Grounding Instructions.

When using an electrical machine, basic precautions should always be followed, including the following: This appliance is intended for commercial use.

- 1 DISCONNECT APPLIANCE FROM POWER CIRCUIT before removing the cover, performing maintenance work, and when not in use.
- 2 DO NOT LEAVE the machine unattended when plugged in.
- 3 ALWAYS CHECK THE POWER SUPPLY CORD for damage or signs of any aging before each use. If damage is found, the cord must be replaced before further use.
- 4 DO NOT PULL OR CARRY APPLIANCE BY CORD. Do not use cord as a handle. Keep cord away from heated surfaces or fire. Do not close door on cord or pull cord around sharp edges.
- 5 KEEP CORD AWAY FROM HEAT AND OIL. Do not leave cord lying around after job is complete. It can become a tripping hazard.
- 6 TO AVOID HAZARD, do not run machine over cord.
- 7 TURN SWITCH TO OFF before unplugging power supply cord.

- 8 DO NOT UNPLUG BY PULLING CORD. To unplug, grasp plug, not cord.
- 9 DO NOT GRASP PLUG WITH WET HANDS.
- 10 A DAMAGED CORD OR PLUG should only be replaced by an authorized service center representative. DO NOT ATTEMPT TO REPAIR POWER CORD.
- 11 TO AVOID SHOCK, do not expose to rain. Store indoors.
- 12 USE ONLY AS RECOMMENDED BY THIS MANUAL. Use only with recommended attachments.
- 13 KEEP HAIR, CLOTHING, LOOSE JEWELRY, FINGERS and all parts of the body away from openings and moving parts.
- 14 DO NOT BLOCK OR OBSTRUCT OPENINGS. Keep openings free of lint, hair, dust, and anything that restricts air flow.
- 15 DO NOT PICK UP ANYTHING THAT IS BURNING, smoldering, or smoking such as matches, cigarettes, or hot ashes.
- 16 DO NOT USE TO VACUUM COMBUSTIBLE EXPLOSIVE MATERIALS, such as coal, grain, and other finely divided combustible material.
- 17 DO NOT USE TO VACUUM COMBUSTIBLE, hazardous, toxic, or carcinogenic materials, including gasoline, diesel fuel, acetone, paint thinner, heating oils, undiluted acids and solvents, pesticide, and asbestos.
- 18 CONNECT THE APPLIANCE WITH PROPERLY GROUNDED OUTLET ONLY. See grounding instructions.
- 19 DO NOT ALLOW THE APPLIANCE TO BE USED AS A TOY. Keep children away.
- 20 DO NOT LEAVE UNATTENDED while Machine is running.

- 21 DO NOT USE IF CORD, PLUG OR MACHINE IS IN POOR CONDITION. If the Appliance has been dropped, damaged, exposed to weather, or dropped into water; have it checked by an authorized service.
- 22 ALWAYS USE EYE PROTECTION when operating the machine.
- 23 USE EXTRA CAUTION when operating on stairs.
- 24 STAY ALERT! Do not use the machine when you are tired or under the influence of drugs, alcohol or medication.
- 25 Do not use to pick up flammable or combustible liquids, such as gasoline, or use in areas where they may be present.
- 26 To Reduce the Risk of Fire, do not use a flammable or combustible liquid to clean a floor.
- 27 Switch off the machine immediately in case foam or liquid escape.

SAVE THESE INSTRUCTIONS

This appliance is intended for commercial use.

SAFETY INSTRUCTIONS

GROUNDING INSTRUCTIONS

- This appliance must be grounded. If it should malfunction or break down, grounding provides a path of least resistance for electric current to reduce the risk of electric shock.
- This appliance is equipped with a cord having an equipment grounding conductor and ground plug.
- The plug must be inserted into an appropriate outlet that is properly installed and grounded in accordance with all local codes and ordinances.

WARNING:

- Improper connection of the equipment-grounding conductor can result in a risk of electric shock.
- Check with a qualified electrician or service person if you are in doubt as to whether the outlet is properly grounded.
- Do not modify the plug provided with the appliance.
- If it will not fit the outlet, have a proper outlet installed by a qualified electrician.
- This appliance is for use on a nominal 120-volt circuit, and has a grounded plug that looks like the plug illustrated in Fig.A.
- A temporary adapter that looks like the adapter illustrated in Fig.B, may be used to connect this plug to a two-pole receptacle as shown in Fig.B, if a properly grounded outlet is not available.
- The temporary adapter should be used only until a properly grounded outlet (Fig.A) is installed by a qualified electrician.
- The green colored rigid ear, lug, or the like extending from the adapter must be connected to a permanent ground such as a properly grounded outlet box cover.
- Whenever the adapter is used, it must be held in place by a metal screw.

IN ALL CASES, MAKE SURE THE RECEPTACLE IN QUESTION IS PROPERLY GROUNDED.

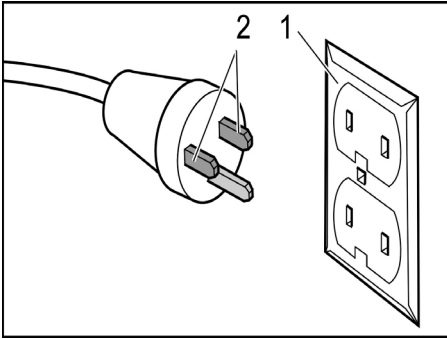
NEVER REMOVE GROUNDING PRONG FROM POWER PLUG.

EXTENSION CORDS

Use only three-wire extension cords that have three-prong grounding-type plugs and three-pole receptacle that accepts the appliance's plug. Replace damaged or worn cord immediately.

DO NOT ATTEMPT TO REPAIR POWER CORD.

Figure A

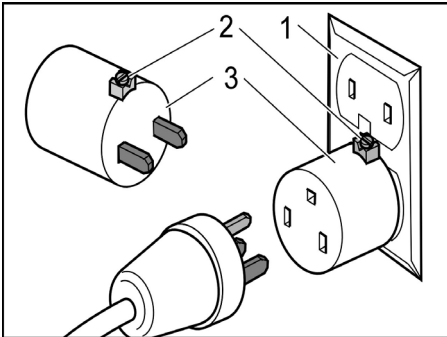


- 1 Grounded outlet box
 - 2 Current carrying prongs
- Grounding prong is longest of the 3 prongs

Servicing of double-insulated machines

In a double-insulated machine, two systems of insulation are provided instead of grounding. No grounding means is provided on a double-insulated machine, nor should a means for grounding be added to the machine. Servicing a double-insulated machine requires extreme care and knowledge of the system, and should be done only by qualified service personnel. Replacement parts for a double-insulated machine must be identical to the parts they replace.

Figure B



- 1 Grounded outlet box
- 2 Grounding means
- 3 Adapter

Note: In Canada, the use of a temporary adapter is not permitted by the Canadian Electrical Code.



Please read and comply with these original instructions prior to the initial operation of your appliance and store them for later use or subsequent owners.

- The non-compliance of the operating and safety instructions may lead to damages of the appliance and to dangers for the operator and other persons.
- In case of transport damage inform vendor immediately.

Contents

Environmental protection	EN	1
Danger or hazard levels	EN	1
Proper use	EN	1
Symbols on the machine	EN	2
Overview	EN	2
Safety Devices	EN	3
Cleaning methods	EN	3
Start up	EN	4
Operation	EN	5
How to use the accessories	EN	8
Transport	EN	9
Storage	EN	9
Care and maintenance	EN	10
Troubleshooting	EN	10
Warranty	EN	11
Accessories and Spare Parts . . .	EN	11
Technical specifications	EN	12

Environmental protection



The packaging material can be recycled. Please do not throw the packaging material into household waste; please send it for recycling.



Old appliances contain valuable materials that can be recycled; these should be sent for recycling. Batteries, oil, and similar substances must not enter the environment. Please dispose of your old appliances using appropriate collection systems.

Notes about the ingredients (REACH)

You will find current information about the ingredients at:

www.kaercher.com/REACH

Danger or hazard levels

⚠ **DANGER**

Immediate danger that can cause severe injury or even death.

⚠ **WARNING**

Possible hazardous situation that could lead to severe injury or even death.

⚠ **CAUTION**

Pointer to a possibly dangerous situation, which can lead to minor injuries.

ATTENTION

Pointer to a possibly dangerous situation, which can lead to property damage.

Proper use

⚠ **WARNING**

The appliance is not suitable for vacuuming dust which endangers health.

- The machine is designed for generating steam and vacuum cleaning spilled liquids and solid substances according to the description in this Operating Instructions Manual.
- This appliance is suited for the commercial use, e.g. in hotels, schools, hospitals, factories, shops, offices, and rental companies.

Symbols on the machine



Steam

CAUTION - Danger of scalding

Overview

Quick start instructions SGV 6/5

Illustration **A**

- 1 Fill the fresh water container
- 2 Attaching the Accessories
- 3 Select operating mode,
Heating up the Appliance
- 4 Cleaning - Steam/suction operation
- 5 Empty wastewater container
- 6 Storing the Accessories
- 7 Storing the Appliance

Quick start instructions SGV 8/5

Illustration **A**

- 1 Fill the fresh water container,
Prepare cleaning solution,
Fill detergent container
- 2 Attaching the Accessories
- 3 Select operating mode,
Heating up the Appliance
- 4 Cleaning - Steam/suction operation
- 5 Cleaning - Detergent/suction operation
- 6 Flush appliance
- 7 Cleaning - Steam/suction operation
- 8 Empty wastewater container
- 9 Perform self-cleaning
- 10 Storing the Accessories
- 11 Storing the Appliance

Device elements

Illustration **B**

- 1 Locking mechanism of the wastewater container
- 2 Lid of the wastewater container
- 3 Wastewater container
- 4 Rough dirt filter
- 5 Filter holder
- 6 Steam suction hose
- 7 Push handle
- 8 Hose switch
- 9 Adapter for accessories (homebase)
- 10 Holder for steam suction pipe (parking position)

- 11 Retainer of the steam suction pipe (self-cleaning) (only SGV 8/5)
- 12 Holder for floor nozzle (parking position)
- 13 Steering roller with fixed position brake
- 14 Detergent container (SGV 8/5)
Container for detergent spray bottle (SGV 6/5)
- 15 Recessed grip
- 16 Fresh water container
- 17 Accessory outlet
- 18 Locking mechanism of the accessory plug
- 19 Rubber lip insert for floor nozzle
- 20 Floor nozzle
- 21 Locking mechanism of the inserts for the floor nozzle
- 22 Triangular nozzle
- 23 Accessory plug
- 24 Cover of the accessory outlet
- 25 Operating field
- 26 Cover of the accessory tray
- 27 Accessory tray
- 28 Accessory lock
- 29 Screw cap of the detergent container (only SGV 8/5)
- 30 Screw cap of the fresh water container
- 31 Carrying handle of the fresh water container, folding
- 32 Detergent spray bottle (only SGV 6/5)
- 33 Steam suction pipe
- 34 Round brush
- 35 Handle
- 36 Detail nozzle/adapter for crevice nozzle
- 37 Extension for detail nozzle
- 38 Rubber lip for hand nozzle
- 39 Hand nozzle
- 40 Brush collar for hand nozzle
- 41 Crevice nozzle
- 42 Brush strip insert for floor nozzle
- 43 Step depression
- 44 Storage for floor nozzle
- 45 Cable hook, rotating
- 46 Air outlet, working air
- 47 Holder for steam suction pipe
- 48 Power cord
- 49 Holder for triangular nozzle
- 50 Quick start instructions
- 51 Cover of the wastewater container

- 52 Closure of the wastewater container
- 53 Nameplate

Operating field

Illustration

- 1 0/OFF
- 2 Operating mode: Cold water/suction operation
- 3 Operating mode: Steam/hot water/cold water/suction operation (eco!efficiency)
- 4 Operating mode: Steam/hot water/cold water/suction operation
- 5 Operating mode: Rinsing (SGV 8/5 only)
- 6 Operating mode: Detergent/suction operation (SGV 8/5 only)
- 7 Operating mode: Self-cleaning (SGV 8/5 only)
- 8 Rotating knob
- 9 Display (SGV 8/5 only)
- 10 Indicator lamp "Operational readiness" (green)
- 11 Indicator lamp "Heating on" (green)
- 12 Indicator lamp "Service" (yellow)
- 13 Indicator lamp "Fresh water container empty" (red)
- 14 Indicator lamp "Wastewater container full" (red)
- 15 Indicator lamp "Fault" (red)
- 16 Hand wheel
- 17 Suction button
- 18 Steam switch
- 19 Safety catch
- 20 Steam quantity regulator: Level I-II-III
- 21 Applying hot water
- 22 Applying cold water

Safety Devices

Safety devices serve for the protection of the user and must not be put out of operation or bypassed with respect to their function.

Safety catch

- The handle is equipped with a safety catch on the steam switch, which prevents accidental steam release.
- In the event that the steam suction hose is shortly unattended during operation, it is recommended to activate the safety device (pull out safety catch). In order to trigger the steam release again, deactivate safety device (push safety catch in).

Cleaning methods

Cleaning of various materials

- Please read the cleaning instructions of the manufacturer before treating leather, special fabrics and wooden surfaces and always do a trial on a sample or some hidden part. Let the steam-treated surface dry and then check whether there are any changes to the colour or form on account as reaction to the steam.
- We recommend that you be very careful while cleaning wooden surfaces (furniture, doors, etc.) because long exposure to steam can damage the wax coating, the finish or the surface colours. Hence we recommend that you use steam only for short intervals or first clean the surface with a cloth that has been steam-moistened.
- For highly sensitive surfaces (for e.g. synthetic materials, painted surfaces, etc.) we recommend that you use the steam function at the minimum performance level.
- Cleaning of stainless steel: Avoid the use of abrasive brushes. Use hand nozzle with rubber lip or detail nozzle without a round brush.

Refreshing textiles

Always test the compatibility of the fabrics on a hidden spot prior to treating them with the appliance: Steam first, then allow to dry before checking for colour changes or deformation.

Cleaning of Coated or Lacquered Surfaces

When cleaning painted or plastic-coated surfaces, as found on kitchen and living room furniture, doors, parquet, linoleum; wax, furniture polish, plastic surfaces or paint can come loose or stains can be created. When cleaning these surfaces, briefly steam a cloth and wipe the surfaces with it.

Detergent

⚠ **WARNING**

Health risk, risk of damage. Observe all indications on the detergent used.

ATTENTION

Detergent solutions with a pH-value higher than 13 (alkaline) and smaller than 2 (acidic) can damage the appliance.

Note: For considerate treatment of the environment use detergent economically.

Kitchen area	Grease and protein remover RM 731 (alkaline)
Floorings, e.g. safety tiles	Universal floor cleaner RM 743 (alkaline)
	Porcelain stoneware RM 753 (alkaline)
Sanitary area, e.g. shower, floorings with limescale deposits	Floor Deep Cleaner CA 20C (acidic)

For further information, please request product information sheet and EU safety data sheet of the relevant detergent.

Start up

Detergent spray bottle

Only SGV 6/5:

Note: The supplied spray bottle is empty.

→ Fill the spray bottle with the detergent.

Prepare cleaning solution

Only SGV 8/5:

→ Mix fresh water (max. 104 °F/40 °C) and detergent in a clean container (concentration as per the instructions for the detergent).

Fill detergent container

Only SGV 8/5:

→ Pull out the detergent container.

→ Unscrew the screw cap of the detergent container.

Note: For technical reasons (automatic bleeding of the pumps) there can be water in the detergent container.

→ Fill detergent container with cleaning solution.

→ Screw the screw cap of the detergent container back in.

→ Slide the detergent container all the way in to the stop.

Fill the fresh water reservoir

→ Pull out fresh water container.

→ Unscrew the screw cap of the fresh water container.

→ Fill the fresh water container with at least 0.8 gal (3 litres) of water.

Note: Regular tap water can be used.

→ Screw the screw cap of the fresh water container back in.

→ Slide the fresh water container all the way in to the stop.

Attaching the Accessories

⚠ **DANGER**

Risk of scalding! In order to prevent steam from escaping when accessories are disconnected, the safety catch on the steam switch must be pulled out.

→ Check accessory for safe connection prior to use.

Accessories with plug connection

→ Open the cover of the accessory outlet, plug the accessory plug in the accessory outlet and snap it in place audibly.

- Connect accessory: Connect the handle or the steam suction hose with the desired accessory. Slide parts into each other until the accessory lock snaps into place.
- Disconnect accessory: Hold the accessory lock down and pull the accessory parts apart.

Accessories with screw connection

- Connect and hand-tighten screwable accessories.

Replacing the inserts of the floor nozzle

Illustration 

Replacing the inserts of the hand nozzle

Illustration 

Operation

Always place the machine in a horizontal position during operation.

Display

Only SGV 8/5:

- Text or a line/bar presentation is shown on the display.
- The line/bar presentation depicts a certain period of time. At the beginning of the period of time 10 bars are shown, which are replaced by lines from the right to the left until 10 lines are shown in the end.

Text
_ _ _ _ _

Factory-set display language

- English

Selecting the display language

Available display languages:

- German
- English
- French
- Spanish
- Japanese
- Set the rotary switch on the appliance to "0/OFF".

- Set the handwheel on the handle to cold water.
- Press the suction button and the steam switch.
- Set the rotary switch to cold water/suction operation.

language
English

The lower line is flashing as the display language has not been saved yet.

- Release the suction button and the steam switch.
- Select a language by means of the handwheel.
- Press the steam switch in order to save the display language. The bottom line stops flashing.

Turning on the Appliance

ATTENTION

Risk of damage! Do not tilt the appliance while it is switched on.

- Plug in the mains plug.
- Set the rotary switch to the desired operating mode.

filling process
please wait

Cold water/suction operation

Note: With this operating mode the handwheel has the "Apply cold water" function in every position. The steam/hot water operation is deactivated.

- Set the rotary switch to cold water/suction operation.

Applying cold water

cold water

- Press the steam switch. Cold water is dispensed as long as the button is pressed.

Vacuuming operations

- Start suction operation: Press suction button briefly.
- End suction operation: Press suction button again briefly.

Combined operation

- Press the steam switch and at the same time press the suction button briefly. Suction operation starts and cold water is dispensed at the same time.

Steam/hot water/cold water/suction operation

- Set the rotary switch to steam/hot water/cold water/suction operation.
- ⚠ **DANGER**
Risk of scalding! In order to prevent accidental escape of steam, the safety catch on the steam switch can be pulled out.

Steam operation

⚠ **DANGER**

Scalding danger!

The heating process starts and the indicator lamp "Heating on" is flashing green.

heating ### _ _ _ _ _

After approx. 7 minutes the heating process is finished. The indicator lamp "Heating on" is green.

Note: The heater switches on repeatedly during use (indicator lamp is flashing green) in order to maintain the pressure in the vessel.

steam/hot water ready

-Alternating display-

steam/hot water steam maximum

Depending on the set steam level, the display shows the following: Steam maximum or Steam medium or Steam minimum

- Press the steam switch. Steam is dispensed as long as the button is pressed.

Steam quantity regulation

- Light steam (level I):
To sprinkle water on plants, clean fabrics, wallpapers, upholstery, etc.
- Medium steam (level II):
For carpeted floors, carpets, window panes, floors.

- Heavy steam (level III):
For the removal of stubborn soiling, stains and grease.
- Set the steam quantity regulation on the handwheel to the desired steam level.

Applying hot water

⚠ **DANGER**

Scalding danger!

Note: Hot water (approx. 158 °F/70 °C) increases the cleaning effect. Verify the temperature resistance of the surface to be cleaned.

- Set the handwheel to hot water.

hot water

- Press the steam switch. Hot water is dispensed as long as the button is pressed.

Applying cold water

- Set the handwheel to cold water.

cold water

- Press the steam switch. Cold water is dispensed as long as the button is pressed.

Vacuuming operations

- Start suction operation: Press suction button briefly.
- End suction operation: Press suction button again briefly.

Combined operation

- Press the steam switch and at the same time press the suction button briefly. Suction operation starts and steam or hot/cold water is dispensed at the same time.

Steam/hot water/cold water/suction operation (eco!efficiency)

Only SGV 8/5:

In the operating mode eco!efficiency the appliance works with a reduced suction performance and a reduced sound level.

- Set the rotary switch to steam/hot water/cold water/suction operation (eco!efficiency).

Detergent/suction operation

Only SGV 8/5:

Note: Test the detergent resistance of the surface to be cleaned.

Note: With this operating mode the hand-wheel has the "Apply cleaning solution" function in every position. The steam/hot water/cold water operation is deactivated.

→ Set the rotary switch to detergent/suction operation.

Applying the detergent solution

detergent

→ Press the steam switch. Cleaning solution is dispensed as long as the button is pressed.

Vacuuming operations

→ Start suction operation: Press suction button briefly.

→ End suction operation: Press suction button again briefly.

Combined operation

→ Press the steam switch and at the same time press the suction button briefly. Suction operation starts and the cleaning solution is dispensed at the same time.

Note: As soon as the entire content of the detergent container has been applied and vacuumed off again, the wastewater container must be emptied in order to prevent excessive formation of foam.

After operation with detergent / rinsing

Only SGV 8/5:

- After operation with detergent, the appliance must be rinsed.
- If the rotary switch is not set to rinsing after operation with a detergent, the following message appears on the display:

select flushing
program

→ Set rotary switch to rinsing.

start
flushing

→ Hold down the steam switch. Rinsing starts. Hold the floor nozzle over a drain or start suction operation.

flushing

_ _ _ _ _

Rinsing in process. Time elapsed is displayed.

Note: If the steam switch is released, the rinsing process stops. When pushing the steam switch again, the rinsing process is continued.

flushing
completed

Note: The rinsing process can be extended by pushing the steam switch longer.

Empty wastewater container

- Open the cover of the wastewater container.
- Push the locking mechanism of the wastewater container up.
- Remove the wastewater container.
- Unlock the closure of the wastewater container and remove the lid.
- Empty the wastewater reservoir.

Putting Down the Accessories

During short interruptions of work, the floor nozzle can be brought into the parking position and the steam suction pipe can be snapped in place.

Turn off the appliance

- Set the rotary switch on the appliance to "0/OFF".
- Pull out the mains plug.

Self-cleaning

Only SGV 8/5:

- Set the rotary switch on the appliance to self-cleaning.

prepare
self-cleaning

-Alternating display-

Self-cleaning
see quick start

- Fold out the holder for the floor nozzle (parking position).
- Remove the floor nozzle from the steam suction pipe.
- Snap the steam suction pipe in the retainer (bottom) and the holder (top) in a way that the handle points outwards.

start
self-cleaning

- Press the steam switch briefly. Self-cleaning starts.

Self-cleaning
_ _ _ _ _

Self-cleaning proceeds automatically. Time elapsed is displayed.

Self-cleaning
completed

After each operation

- Empty fresh water container.
- Empty detergent container (SGV 8/5).
- Empty and clean wastewater container.
- Thoroughly clean accessories: Clean handle, steam suction hose and accessory plug using a damp cloth. Clean the remaining accessories under running water.
- Clean the outside of the appliance with a damp cloth.

Storing the Appliance

- Press the locking mechanism of the accessory plug and pull the accessory plug out of the accessory outlet.
- Allow accessories to dry sufficiently and place them in the accessory tray.
- Empty fresh water container.
- Only SGV 8/5: Empty and clean detergent container.

Illustration 

- Store floor nozzle, steam suction pipes, steam suction hose and power cable as shown in the illustration.

- Remove all water from the appliance prior to longer periods of non-use to avoid offensive odours.
- Allow appliance to dry sufficiently: Slightly pull out the wastewater, fresh water, and detergent container and open the cover of the accessory tray.
- Place the appliance in a dry room and secure it from unauthorized use.

Note: Always allow the brushes to cool down so that any deformation of the bristles is avoided.

How to use the accessories

Note: Detergent residue or care emulsions that are still present on the surface to be cleaned can lead to streaks during steam cleaning. However, these will disappear with repeated cleaning procedures.

Handle without accessories

Application examples

- Elimination of odours and wrinkles from hanging pieces of clothing, by steaming them from a distance of 3.9-7.9 in (10-20 cm).

Detail nozzle

The closer you hold the nozzle to the dirty spot, the higher the cleaning effect as temperature and pressure of the steam reach their maximum values immediately when they are emitted from the nozzle.

Application examples

- The use of the detail nozzle is recommended for hard to reach areas.
- Treatment of stains on carpeted floors or carpets prior to the use of the brush.
- Cleaning of stainless steel, window panes, mirrors and enamel surfaces.
- Cleaning of corners on stairs, window frames, door posts, aluminium profiles.
- Cleaning of fittings.
- Cleaning of window shutters, radiators, interior cleaning of vehicles.

Detail nozzle and accessories

- The round brush is suitable for stubborn soiling on especially small surfaces such as stove tops, roller shutters, tile joints, sanitary facilities, etc.
Note: The round brush is not suitable for cleaning sensitive surfaces.
- Extension: With this accessory an optimum cleaning of places that are particularly hard to reach is possible. Ideal for cleaning heaters, door posts, windows, roller shutters, sanitary facilities.

Floor nozzle

Application examples

- Cleaning of large surfaces, floors made of ceramics, marble, parquet, carpets, etc.
- Floor nozzle with rubber lip insert: For vacuuming up liquids from smooth surfaces.
- Floor nozzle with brush strip insert: For etching and scrubbing down stubborn soiling.

Hand nozzle

Application examples

- Recommended for cleaning large glass and mirror surfaces, smooth surfaces in general or for the cleaning of fabric surfaces such as sofas, mattresses, etc.

Hand nozzle and accessories

- Rubber lip: For smaller surfaces such as multi-pane windows and mirrors. For window panes and larger surfaces such as wall tiles, worktops, stainless steel surfaces.
- Brush collar: For carpets, staircases, car interiors, fabric surfaces in general (after carrying out a test on a hidden area). For abrasive cleaning and scrubbing.

Window cleaning

Note: Preheat window panes during seasons with especially low temperatures. In order to do so, lightly steam the entire glass surface from a distance of approx. 19.7 in (50 cm). This will prevent tensions on the surface which might lead to glass breakage.

- Evenly steam the glass surface from a distance of approx. 7.9 in (20 cm) in order to remove the dirt.
- Switch off the steam supply.
- Strip the glass surface web by web from top to bottom by means of the rubber lip and vacuum off.
- Wipe the rubber lip and the lower window frame dry as necessary.

Triangular nozzle

The triangular nozzle must only be used with the suction function.

Transport

⚠ CAUTION

Risk of injury and damage! Observe the weight of the appliance when you transport it.

- Place the floor nozzle in the tray on the rear side of the appliance and snap the steam suction pipe in place. Disconnect steam suction pipes.
- Release the park brakes and push the appliance by the push handle.
- Grab the appliance on the recessed grip and on the push handle for loading it.
- Pull the device behind you at the carrying handle for transporting it over longer distances
- When transporting in vehicles, secure the appliance according to the guidelines from slipping and tipping over. Empty all containers first.

Storage

⚠ CAUTION

Risk of injury and damage! Note the weight of the appliance in case of storage.

This appliance must only be stored in interior rooms.

Care and maintenance

⚠ DANGER

Switch off the appliance, pull the power plug and allow the appliance to cool down prior to performing any work on the appliance.

Checking seals

- Regularly check the condition of the seals (2x O-ring) in the accessory plug, in the handle and in the steam suction pipes. Replace seals if necessary.

Replacing the coarse dirt filter

- Open the cover of the wastewater container.
- Push the locking mechanism of the wastewater container up.
- Remove the wastewater container.
- Unlock the closure of the wastewater container and remove the lid.
- Turn cover by 180° and set it aside.
- Remove the coarse dirt filter from the filter holder and replace it.

Maintenance intervals

Yearly

- Have the device decalcified by customer service.

Troubleshooting

⚠ DANGER

Switch off the appliance, pull the power plug and allow the appliance to cool down prior to performing any work on the appliance.

⚠ DANGER

Repair works may only be performed by the authorized customer service.

Display without indicator lamp

refill
detergent

- Refill detergent.
- Insert the detergent container correctly, slide it all the way in to the stop.

Indicator lamp "Service" is flashing yellow

service
error: E07

- Turn off the appliance, wait briefly, turn on the appliance once again.
- If the indicator lamp does not go out, repeat the procedure (max. 4 times).

service
error: E14

Advance warning descaling (100h more)

- Have the device decalcified by customer service.

Indicator lamp "Service" is yellow

service
error: E15

Descaling

- Have the device decalcified by customer service.

Indicator lamp "Fresh water container empty" is red

refill
fresh water

- Refill fresh water.
- Insert the fresh water container correctly, slide it all the way in to the stop.

Indicator lamp "Wastewater container full" is red

drain
wastewater

- Empty wastewater.
- Insert the wastewater container properly and lock it.

Indicator lamp "Disturbance" flashes red

service
error: E01

- Turn off the appliance.
- Check fresh water container for proper seating.
- Switch the machine back on again.
- If the indicator lamp does not go out, repeat the procedure (max. 4 times).

The "Service" indicator lamp is yellow and the "Disturbance" indicator lamp is red at the same time

service
error: E01

- Inform Customer Service.

service
error: E07

- Inform Customer Service.

service
error: E09

- Inform Customer Service.

service
error: E16

- Inform Customer Service.

Indicator lamp "Disturbance" is red

service
error: E12

- Check accessory plug for proper seating.
- Turn off the appliance, wait briefly, turn on the appliance once again.
- Inform the after sales service if the error reoccurs.

service
error: E13

- Check accessory plug for proper seating.
- If water gets into the handle, ensure complete drying.
- Turn off the appliance, wait briefly, turn on the appliance once again.

- Inform the after sales service if the error reoccurs.

Insufficient vacuum performance

- Remove clogging from floor nozzle, steam suction pipe, handle, and steam suction hose.
- Remove clogging from accessories.

Customer Service

If malfunction can not be fixed, the device must be checked by customer service.

Warranty

The warranty terms published by the relevant sales company are applicable in each country. We will repair potential failures of your appliance within the warranty period free of charge, provided that such failure is caused by faulty material or defects in manufacturing. In the event of a warranty claim please contact your dealer or the nearest authorized Customer Service centre. Please submit the proof of purchase.

Accessories and Spare Parts

- Only use accessories and spare parts which have been approved by the manufacturer. The exclusive use of original accessories and original spare parts ensures that the appliance can be operated safely and trouble free.
- At the end of the operating instructions you will find a selected list of spare parts that are often required.
- For additional information about spare parts, please go to the Service section at www.kaercher.com.

Technical specifications

		SGV 6/5	SGV 8/5
Mains voltage	V	120	120
Frequency	Hz	1~ 60	1~ 60
Voltage in the handle	V	5	5
Rated current	A	13	13
Nominal power fan	W	1200	1200
Rated input boiler	W	1600	1600
Main pump	W	52	52
Water pump	W	27	27
Steam boiler	gal (l)	0.9 (3.4)	0.9 (3.4)
Filling quantity fresh water container	gal (l)	1.5 (5.6)	1.5 (5.6)
Filling quantity wastewater container	gal (l)	1.3 (5.0)	1.3 (5.0)
Filling quantity detergent container	gal (l)	--	0.5 (2.0)
Air volume (max.)	CFM (l/s)	150 (71)	150 (71)
Negative pressure (max.)	mm (kPa)	2590 (254)	2590 (254)
Working pressure	psi (MPa)	87 (0.6)	116 (0.8)
Steam pressure (max.)	psi (MPa)	145 (1.0)	174 (1.2)
Steam quantity (max.) - consistent	oz/min (g/min)	1.9 (55)	1.9 (55)
Heating time	min	12.0	13.5
Max. operating temperature of hot water	°F (°C)	158 (70)	158 (70)
Max. operating temperature of steam	°F (°C)	327 (164)	343 (173)
Water flow rate	gal/min (l/min)	0.16 (0.6)	0.16 (0.6)
Detergent flow rate	gal/min (l/min)	--	0.18 (0.7)
Type of protection	--	IPX4	IPX4
Protective class	--	I	I
Length x width x height	in (mm)	22.2 x 19.5 x 38.0 (640 x 495 x 965)	22.2 x 19.5 x 38.0 (640 x 495 x 965)
Typical operating weight	lbs (kg)	85 (39)	88 (40)
Angle of inclination (max.)	°	10	10
Values determined as per EN 60335-2-68			
Sound pressure level L _{pA}	dB(A)	67	67
Uncertainty K _{pA}	dB(A)	1	1

Power cord	SJOW 3/14 AWG	
	Part no.:	Cable length
CUL	6.650-477.0	7.5 m

CONSIGNES DE SÉCURITÉ IMPORTANTES

OBSERVEZ LES POINTS SUIVANTS AVANT LA MISE EN SERVICE DE L'APPAREIL

- En cas de dommages dus au transport, veuillez en informer immédiatement votre revendeur.
- Sortir tous les accessoires du carton.
- L'appareil ne convient pas pour aspirer des poussières nocives comme p. ex. l'amiante. Pour de telles applications, veuillez vous adresser à votre représentation Kärcher ou à votre revendeur Kärcher.
- N'utiliser l'appareil que s'il est raccordé à une prise reliée à la terre. Se reporter aux caractéristiques techniques au sujet du fusible principal nécessaire.
- Brancher uniquement sur une prise correctement reliée à la terre. Voir les instructions de mise à terre.

Il convient de toujours respecter les consignes de sécurité de base lors de l'utilisation d'un appareil électrique. En d'autres termes : Cet appareil est destiné à une utilisation commerciale.

- 1 DEBRANCHER L'APPAREIL DE L'ALIMENTATION ELECTRIQUE avant de retirer le cache, effectuer des opérations d'entretien ou lorsque l'appareil n'est pas utilisé.
- 2 Ne laissez pas l'appareil sans surveillance tant qu'il est branché.
- 3 TOUJOURS CONTRÔLER que le câble d'alimentation secteur n'est pas endommagé ou ne présente pas des signes de vieillissement avant chaque utilisation. S'il est endommagé, remplacer le câble avant toute nouvelle utilisation.
- 4 NE PAS TIRER OU PORTER L'APPAREIL PAR LE CABLE. Ne pas se servir du câble comme d'une poignée. Tenir le cordon à l'écart des surfaces chaudes ou des flammes. Ne pas fermer de porte sur le câble, ni le passer autour des angles saillants.

- 5 NE PAS METTRE LE CORDON À LA CHALEUR OU DANS DE L'HUILE. Ne pas laisser le cordon traîner par terre après la fin du travail. Il pourrait provoquer une chute.
- 6 POUR ÉVITER TOUT RISQUE, ne pas écraser le câble avec les roues d'une machine.
- 7 METTRE L'INTERRUPTEUR SUR avant de débrancher l'appareil.
- 8 NE PASTIRER SUR LE CORDON POUR DÉBRANCHER l'appareil. Tirer sur la prise.
- 9 NE PAS SAISIR LA PRISE AVEC DES MAINS MOUILLÉES.
- 10 SI LE CORDON OU LA PRISE EST ABÎMÉ, le faire remplacer par un agent d'un centre de service agréé uniquement. NE PAS ESSAYER DE RÉPARER SOI-MÊME.
- 11 POUR ÉVITER TOUT CHOC ÉLECTRIQUE, ne pas laisser l'appareil sous la pluie. Le stocker à l'intérieur.
- 12 N'UTILISER L'APPAREIL QUE COMME IL EST CONSEILLÉ DANS CE MODE D'EMPLOI. Utiliser exclusivement les accessoires recommandés.
- 13 ÉLOIGNER LES CHEVEUX, LES VÊTEMENTS, LES BIJOUX FLOTTANTS, LES DOIGTS et toutes les parties du corps des ouvertures et des pièces mobiles.
- 14 NE PAS FERMER OU OBSTRUER LES OUVERTURES. Enlever les peluches, cheveux, poussières et tout ce qui pourrait gêner le passage de l'air.
- 15 NE PAS AGRÉER D'OBJETS EN FEU, rougissants ou dégagant de la fumée tels que des allumettes, des cigarettes ou des cendres chaudes.
- 16 NE PAS ASPIRER DE MATÉRIAUX COMBUSTIBLES EXPLOSIFS, tels que charbon, grains et autres matériaux combustibles finement divisés.

- 17 NE PAS ASPIRER DE MATÉRIAUX COMBUSTIBLES, dangereux, toxiques ou cancérigènes comme l'essence, le gas-oil, l'acétone, les diluants à peinture, le fuel domestique, les acides et les solvants non dilués, les pesticides et l'amiante.
- 18 NE BRANCHER L'APPAREIL QUE SUR UNE PRISE RELIÉE CORRECTEMENT À LA TERRE. Se reporter aux instructions de mise à la terre.
- 19 NE PAS LAISSER D'ENFANTS JOUER AVEC L'APPAREIL. Tenir les enfants à l'écart.
- 20 NE PAS LAISSER SANS SURVEILLANCE tant que la machine fonctionne.
- 21 NE PAS UTILISER SI LE CABLE, LA FICHE OU LA MACHINE SONT ENDOMMAGÉS. Si l'appareil est tombé, a été endommagé, exposé aux intempéries ou immergé dans l'eau, le faire vérifier par un service autorisé.
- 22 OUVRIERS UTILISER DES PROTECTIONS OCULAIRES lors de l'utilisation de la machine.
- 23 REDOUBLER DE PRUDENCE pour l'utilisation dans un escalier.
- 24 RESTER VIGILANT ! Ne pas utiliser la machine en état de fatigue ou sous l'influence de drogues, d'alcool ou de médicaments.
- 25 Ne pas aspirer de liquides inflammables ou combustibles, tels que de l'essence avec l'appareil. Ne pas utiliser ce dernier dans des zones susceptibles de contenir de tels produits.
- 26 Pour réduire le risque d'incendie, ne pas se servir d'un liquide combustible ou inflammable pour nettoyer les planchers.
- 27 Éteindre immédiatement la machine si de la mousse ou du liquide en sort.

CONSERVER CES CONSIGNES

Cet appareil est destiné à une utilisation commerciale.

CONSIGNES DE SÉCURITÉ

INSTRUCTIONS DE MISE À LA TERRE

- Cet appareil doit être connecté à la terre. En cas de dysfonctionnement ou de panne, la mise à la terre fournit un chemin de moindre résistance pour le courant électrique pour réduire le risque de choc électrique.
- Cet appareil est équipé d'un câble doté d'un équipement conducteur de terre et d'une prise de terre.
- La fiche doit être branchée dans une prise électrique qui est correctement installée et raccordée à la terre en conformité avec les réglementations et directives locales.

AVERTISSEMENT :

- Une connexion incorrecte du conducteur de terre de l'équipement peut avoir pour résultat un risque de choc électrique.
- Contrôler avec un électricien qualifié ou un technicien de service si vous avez des doutes relatifs à la mise à la terre correcte de la prise.
- Ne pas modifier la fiche fournie avec l'appareil.
- Si la fiche ne rentre pas dans la prise, faites installer une prise appropriée par un électricien qualifié.
- Cet appareil est destiné à une utilisation sur un circuit 120 V nominal, et est équipé d'une prise de terre qui ressemble à la prise illustrée dans la fig. A.
- Un adaptateur temporaire qui ressemble à l'adaptateur illustré dans la fig. B peut être utilisé pour connecter cette fiche au réceptacle deux pôles comme indiqué dans la fig. B si une prise correctement reliée à la terre n'est pas disponible.
- L'adaptateur temporaire doit être utilisé uniquement jusqu'à ce qu'une prise correctement reliée à la terre (fig. A) soit installée par un électricien qualifié.

- L'oreille rigide de couleur verte, la lame ou l'équivalent étendu depuis l'adaptateur doit être connecté à une terre permanente comme un couvercle de prise relié correctement à la terre.
- Quel que soit l'endroit où l'adaptateur est utilisé, il doit être maintenu en place par une vis métallique.

DANS TOUS LES CAS, S'ASSURER QUE LE RECEPTACLE EN QUESTION EST CORRECTEMENT RELIE A LA TERRE.

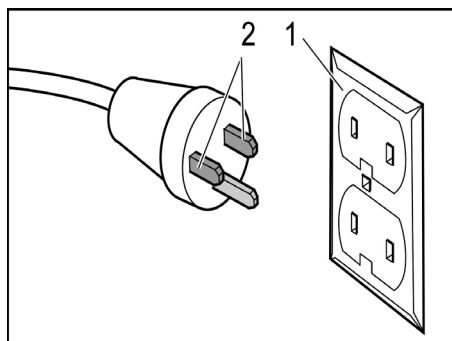
NE JAMAIS RETIRER LA LANGUETTE DE CONTACT DE TERRE DE LA FICHE ELECTRIQUE.

RALLONGES

Utiliser uniquement des câbles de rallonge à trois fils équipés de fiches à mise à la terre à trois languettes et des réceptacles à trois pôles qui acceptent la fiche de l'appareil. Remplacer le câble endommagé ou usé immédiatement.

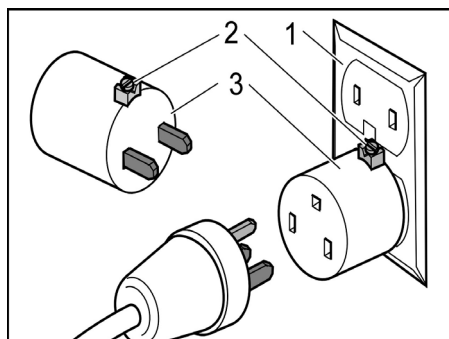
NE PAS TENTER DE REPARER UN CABLE D'ALIMENTATION.

Figure A



- 1 Socle de prise de courant
 - 2 Languettes conduisant le courant
- La languette de terre est la plus longue.

Figure B



- 1 Socle de prise de courant
- 2 Moyens de mise à la terre
- 3 Adaptateur

Note : au Canada, l'utilisation d'un adaptateur temporaire n'est pas autorisée par le Code Electrique Canadien.

Entretien des appareils à double-isolation

Dans un appareil à double isolation, deux isolations distinctes remplacent la mise à la terre. L'appareil à double isolation n'est pourvu d'aucun dispositif de mise à la terre et un tel dispositif ne doit pas être ajouté. L'entretien d'un appareil à double isolation demande beaucoup de soins ainsi qu'une bonne connaissance du système et net devrait être effectué que par un technicien d'entretien qualifié. Les pièces de rechange d'un appareil à double isolation doivent être identiques aux pièces originales.



Lire ce manuel d'utilisation original avant la première utilisation de votre appareil, le respecter et le conserver pour une utilisation ultérieure ou pour le futur propriétaire.

- En cas de non-respect des instructions de service et des consignes de sécurité, l'appareil risque de subir des dommages matériels et l'utilisateur ainsi que toute tierce personne sont exposés à des dangers potentiels.
- Contactez immédiatement le revendeur en cas d'avarie de transport.

Table des matières

Protection de l'environnement	FR	1
Niveaux de danger	FR	1
Utilisation conforme	FR	1
Symboles sur l'appareil	FR	2
Aperçu général	FR	2
Dispositifs de sécurité	FR	3
Méthodes de nettoyage	FR	3
Mise en service	FR	4
Utilisation	FR	5
Utilisation des accessoires	FR	9
Transport	FR	10
Entreposage	FR	10
Entretien et maintenance	FR	10
Assistance en cas de panne	FR	11
Garantie	FR	12
Accessoires et pièces de rechange	FR	12
Caractéristiques techniques	FR	13

Protection de l'environnement



Les matériaux constitutifs de l'emballage sont recyclables. Ne pas jeter les emballages dans les ordures ménagères, mais les remettre à un système de recyclage.



Les appareils usés contiennent des matériaux précieux recyclables lesquels doivent être apportés à un système de recyclage. Il est interdit de jeter les batteries, l'huile et les substances similaires dans l'environnement. Pour cette raison, utiliser des systèmes de collecte adéquats afin d'éliminer les appareils hors d'usage.

Instructions relatives aux ingrédients (REACH)

Les informations actuelles relatives aux ingrédients se trouvent sous :

www.kaercher.com/REACH

Niveaux de danger

⚠ DANGER

Pour un danger immédiat qui peut avoir pour conséquence la mort ou des blessures corporelles graves.

⚠ AVERTISSEMENT

Pour une situation potentiellement dangereuse qui peut avoir pour conséquence des blessures corporelles graves ou la mort.

⚠ PRÉCAUTION

Remarque relative à une situation potentiellement dangereuse pouvant entraîner des blessures légères.

ATTENTION

Remarque relative à une situation éventuellement dangereuse pouvant entraîner des dommages matériels.

Utilisation conforme

⚠ AVERTISSEMENT

Cet appareil n'est pas conçu pour aspirer des poussières nocives.

- Cet appareil est conçu pour générer de la vapeur et aspirer des liquides déversés et des particules solides, comme décrit dans le présent mode d'emploi.
- Cet appareil convient à un usage industriel, par exemple dans le cadre d'hôtels, d'écoles, d'hôpitaux, d'usines, de magasins, de bureaux et d'agences de location.

Symboles sur l'appareil



Vapeur

ATTENTION - Risque de brûlures

Aperçu général

Instructions Quickstart SGV 6/5

Illustration **A**

- 1 Remplissage du réservoir d'eau propre
- 2 Montage des accessoires
- 3 Sélectionner le mode de fonctionnement, Chauffer l'appareil
- 4 Nettoyage - Mode vapeur / mode aspiration
- 5 Vidanger le réservoir d'eau sale
- 6 Conserver les accessoires
- 7 Ranger l'appareil

Instructions Quickstart SGV 8/5

Illustration **A**

- 1 Remplissage du réservoir d'eau propre, Mettre la solution de nettoyage, Remplissage du réservoir à détergent
- 2 Montage des accessoires
- 3 Sélectionner le mode de fonctionnement, Chauffer l'appareil
- 4 Nettoyage - Mode vapeur / mode aspiration
- 5 Nettoyage - Mode détergent / mode aspiration
- 6 Rincer l'appareil
- 7 Nettoyage - Mode vapeur / mode aspiration
- 8 Vidanger le réservoir d'eau sale
- 9 Effectuer un auto-nettoyage
- 10 Conserver les accessoires
- 11 Ranger l'appareil

Éléments de l'appareil

Illustration **B**

- 1 Verrouillage du réservoir d'eau sale
- 2 Couvercle du réservoir d'eau sale
- 3 Réservoir d'eau sale
- 4 Filtre à déchets grossiers
- 5 Support du filtre
- 6 Flexible d'aspiration de vapeur
- 7 Guidon de poussée
- 8 Porte-tuyau

- 9 adaptateur pour les accessoires (Homebase)
- 10 Support du tube d'aspiration de vapeur (position de stationnement)
- 11 Logement du tube d'aspiration de vapeur (auto-nettoyage) (uniquement SGV 8/5)
- 12 Support de la buse pour sol (position de stationnement)
- 13 Roulettes pivotantes et frein de stationnement
- 14 Réservoir à détergent (SGV 8/5)
Réservoir pour flacon vaporisateur de détergent (SGV 6/5)
- 15 Trou de poignée
- 16 réservoir d'eau propre
- 17 Fiche d'accessoire
- 18 Verrouillage de la fiche accessoire
- 19 Insert de lèvres en caoutchouc pour buse pour sol
- 20 Buse pour sol
- 21 Verrouillage des inserts pour buse pour sol
- 22 Buse triangulaire
- 23 Fiche accessoire
- 24 Cache de la fiche d'accessoire
- 25 Pupitre de commande
- 26 Cache du rangement des accessoires
- 27 Rangement des accessoires
- 28 Blocage des accessoires
- 29 Fermeture rotative du réservoir à détergent (uniquement SGV 8/5)
- 30 Fermeture rotative du réservoir d'eau propre
- 31 Poignée de transport du réservoir d'eau propre, rabattable
- 32 Flacon vaporisateur de détergent (uniquement SGV 6/5)
- 33 Tube d'aspiration de vapeur
- 34 Brosse ronde
- 35 Poignée
- 36 Buse à jet crayon/adaptateur pour suceur fentes
- 37 Prolongateur pour buse à jet crayon
- 38 Lèvre en caoutchouc pour suceur à main
- 39 Buse manuelle
- 40 Couronne de brosses pour suceur à main

- 41 Buse à joints
- 42 Insert de bandes de brosse pour buse pour sol
- 43 Cavité de marche
- 44 Rangement pour la buse de sol.
- 45 Crochet de câble, rotatif
- 46 Sortie d'air, air de travail
- 47 Support du tube d'aspiration de vapeur
- 48 Câble d'alimentation
- 49 Support de la buse triangulaire
- 50 Instructions de démarrage rapide
- 51 Cache du réservoir d'eau sale
- 52 Fermeture du réservoir d'eau sale
- 53 Plaque signalétique

Zone de commande

Illustration 

- 1 0/OFF
- 2 Mode de fonctionnement : Mode eau froide / mode aspiration
- 3 Mode de fonctionnement : Mode vapeur / eau chaude / eau froide / aspiration (eco!efficiency)
- 4 Mode de fonctionnement : Mode vapeur / eau chaude / eau froide / aspiration
- 5 Mode de fonctionnement : Rinçage (uniquement SGV 8/5)
- 6 Mode de fonctionnement : Mode détergent / aspiration (uniquement SGV 8/5)
- 7 Mode de fonctionnement : Auto-nettoyage (uniquement SGV 8/5)
- 8 Interrupteur rotatif
- 9 Écran (uniquement SGV 8/5)
- 10 Témoin lumineux « Mode veille » (vert)
- 11 Lampe témoin "Chauffage activer" (vert)
- 12 Témoin lumineux « Service » (jaune)
- 13 Témoin lumineux « Réservoir d'eau propre vide » (rouge)
- 14 Témoin lumineux « Réservoir d'eau sale » (rouge)
- 15 Lampe témoin "Panne" (rouge)
- 16 Volant
- 17 Touche aspiration
- 18 Interrupteur de vapeur
- 19 Cran de sécurité
- 20 Régulation du débit de vapeur : Niveaux I-II-III
- 21 Verser de l'eau chaude
- 22 Verser de l'eau froide

Dispositifs de sécurité

Les dispositifs de sécurité ont pour but de protéger l'utilisateur. Par conséquent, ils ne doivent en aucun cas être désactivés ou transformés.

Cran de sécurité

- La poignée possède une touche de déverrouillage sur l'interrupteur de vapeur qui empêche la diffusion de vapeur par inadvertance.
- Si le flexible d'aspiration de vapeur est sans surveillance pendant un bref moment au cours de son exploitation, il est recommandé d'activer la sécurité (appuyer sur la touche de déverrouillage). Pour déclencher de nouveau la diffusion de vapeur, désactiver le fusible (enclencher la touche de verrouillage).

Méthodes de nettoyage

Nettoyage de divers matériels

- Avant de traiter du cuir, des tissus spéciaux ou des surfaces en bois, lire les instructions du fabricant et toujours effectuer un test sur une zone discrète ou sur un échantillon. Laisser sécher la surface traitée à la vapeur afin de vérifier l'absence de décoloration ou de déformation.
- Pour le nettoyage de surfaces en bois (meubles, portes, etc.), nous recommandons une certaine prudence. En effet, une exposition prolongée à la vapeur risque d'endommager les revêtements à la cire et d'altérer la brillance et la couleur des surfaces. Ainsi, il est préférable, pour ce type de surfaces, de n'utiliser la vapeur qu'à intervalles brefs ou de procéder au nettoyage à l'aide d'un chiffon préalablement vaporisé.
- Pour les surfaces particulièrement délicates (ex. matériaux synthétiques, surfaces vernies, etc.) nous recommandons d'utiliser la vaporisation à la puissance minimale.

- Nettoyage de pièces en acier inoxydable : Éviter d'insérer des brosses abrasives. Insérer le suceur à main avec la lèvre en caoutchouc ou la buse à jet crayon sans brosse ronde.

Rafraîchissement des textiles

Avant d'utiliser l'appareil, toujours vérifier la compatibilité des textiles à un endroit caché : commencer par vaporiser, puis laisser sécher et enfin vérifier la modification de la couleur ou de la forme.

Nettoyage de surfaces enduites ou vernies

Lors du nettoyage des surfaces peintes ou à revêtement plastique, comme par exemple les meubles de cuisine et de salle de séjour, les portes, les parquets, la cire, le poli des meubles, les revêtements plastiques ou la couleur peuvent se détacher ou des tâches peuvent se former. Pour nettoyer ces surfaces, mettre un peu de vapeur sur un chiffon puis nettoyer les surfaces.

Produit détergent

△ AVERTISSEMENT

Risque sanitaire, risque d'endommagement. Toutes les instructions qui sont jointes aux détergents utilisés doivent être respectées.

ATTENTION

Des solutions de nettoyage avec une valeur pH supérieure à 13 (alcaline) et inférieure à 2 (acide) peuvent entraîner des dommages à l'appareil.

Remarque : Respecter l'environnement en utilisant le détergent avec parcimonie.

Secteur de la cuisine	Solvant de graisse et albumine RM 731 (alcalin)
Revêtement de sol, par ex. carrelage de protection	Nettoyant pour sol universel RM 743 (alcalin)
	Nettoyant pour grès cérame fin RM 753 (alcalin)

Secteur sanitaire, par ex. douche, revêtement de sol avec dépôts de tartre	détergent puissant pour sol CA 20C (acide)
--	--

Pour plus d'informations, veuillez demander la fiche d'information produit et la feuille de données de sécurité UE du détergent correspondant.

Mise en service

Flacon vaporisateur de détergent

Uniquement SGV 6/5 :

Remarque : Le flacon vaporisateur fourni est vide.

- Mettre du détergent dans le flacon vaporisateur.

Mettre la solution de nettoyage

Uniquement SGV 8/5 :

- Mélanger l'eau propre (max. 104 °F/ 40 °C) et le détergent dans un récipient propre (concentration selon les indications pour le détergent).

Remplissage du réservoir à détergent

Uniquement SGV 8/5 :

- Retirer le réservoir à détergent.
- Dévisser la fermeture rotative du réservoir à détergent.
Remarque : Pour des raisons techniques (vidage automatique des pompes), de l'eau peut se trouver dans le réservoir à détergent.
- Mettre de la solution de nettoyage dans le réservoir à détergent.
- Tourner de nouveau la fermeture rotative du réservoir à détergent.
- Insérer le réservoir à détergent jusqu'en butée.

Remplissage du réservoir d'eau fraîche

- Dévisser le réservoir d'eau propre.
- Dévisser la fermeture rotative du réservoir d'eau propre.
- Remplir le réservoir d'eau propre avec au moins 0.8 gal (3 litres) d'eau.
Remarque : Il est possible d'utiliser de l'eau du robinet normale.
- Tourner de nouveau la fermeture rotative du réservoir d'eau propre.
- Insérer le réservoir d'eau propre jusqu'en butée.

Montage des accessoires

⚠ **DANGER**

Risque de brûlure ! Pour éviter une sortie de vapeur en cas de retrait d'accessoires, la touche de déverrouillage sur l'interrupteur de vapeur doit être désenclenchée.

- Vérifier la connexion sûre des accessoires avant de les utiliser.

Accessoires avec connexion

- Ouvrir le cache de la prise pour accessoires, insérer la fiche accessoire dans la fiche pour accessoire et l'enclencher de manière audible.
- Raccorder les accessoires : Raccorder la poignée ou le tube d'aspiration de vapeur avec l'accessoire souhaité. Enfoncer les pièces les unes dans les autres, jusqu'à ce que le blocage des accessoires s'enclenche.
- Enlever les accessoires : maintenir enfoncé le blocage des accessoires et désassembler les pièces d'accessoires.

Accessoires avec raccord vissé

- Raccorder les accessoires vissables et serrer à la main.

Remplacer les inserts des buses pour sol

Illustration 

Remplacer les inserts des suceurs à main

Illustration 

Utilisation

En service, l'appareil doit impérativement être positionné à l'horizontale.

Résolution

Uniquement SGV 8/5 :

- Soit un texte, soit une présentation en traits/barres est affiché à l'écran.
- La présentation en traits/barres représente une période définie. Au début de la période, 10 barres sont affichées, qui sont remplacées de la droite vers la gauche par des traits jusqu'à ce que 10 traits soient affichés.

Texte #####

Langue d'affichage réglée en usine

- Anglais

Sélectionner la langue d'affichage

Langues d'affichage disponibles :

- Allemand
- Anglais
- Français
- Espagnol
- Japonais
- Mettre le bouton rotatif sur l'appareil sur « 0/OFF ».
- Mettre la molette sur la poignée sur eau froide.
- Appuyer sur la touche aspiration et sur l'interrupteur de vapeur.
- Mettre le bouton rotatif sur Mode eau froide / mode aspiration.

language English

La ligne inférieure clignote car la langue d'affichage n'a pas encore été sauvegardée.

- Relâcher la touche aspiration et l'interrupteur de vapeur.
- Sélectionner la langue à l'aide de la molette.
- Appuyer sur l'interrupteur de vapeur pour sauvegarder la langue d'affichage. La ligne inférieure cesse de clignoter.

Mettre l'appareil en marche

ATTENTION

Risque d'endommagement ! Ne pas basculer l'appareil quand il est en service.

- Brancher la fiche secteur.
- Mettre le bouton rotatif sur le mode de fonctionnement souhaité.

Remplissage
Attendre, S.V.P

Mode eau froide / mode aspiration

Remarque : Pour ce mode de fonctionnement, la molette a dans chaque position la fonction « Verser de l'eau froide ». Le mode vapeur / eau chaude est désactivé.

- Mettre le bouton rotatif sur Mode eau froide / mode aspiration.

Verser de l'eau froide

Eau froide

- Appuyer sur l'interrupteur de vapeur. De l'eau froide est sortie tant que la touche est maintenue enfoncée.

Aspiration

- Démarrer le mode aspiration : Appuyer brièvement sur la touche aspiration.
- Quitter le mode aspiration : Appuyer de nouveau brièvement sur la touche aspiration.

Mode combiné

- Appuyer sur l'interrupteur de vapeur et appuyer brièvement en même temps sur la touche aspiration. Le mode aspiration commence et de l'eau froide est émise en même temps.

Mode vapeur / eau chaude / eau froide / aspiration

- Mettre le bouton rotatif sur Mode vapeur / eau chaude / eau froide / mode aspiration.

⚠ DANGER

Risque de brûlure ! Pour éviter une sortie inopinée de vapeur, la touche de verrouillage sur l'interrupteur de vapeur peut être désenclenchée.

Mode vapeur

⚠ DANGER

Risque de brûlure !

Le processus de chauffage commence et le témoin lumineux « Chauffage ON » clignote vert.

Chauffer
_ _ _ _ _

Le processus de chauffage se termine au bout de 7 minutes environ. Le témoin lumineux « Chauffage ON » s'allume en vert.

Remarque : Le chauffage se remet toujours en service en cours d'utilisation (le témoin lumineux clignote vert) pour maintenir la pression dans la chaudière.

vapeur/ eau ch.
Prêt

-Affichage en alternance-

vapeur/ eau ch.
Vapeur max.

Ce qui suit est affiché à l'écran en fonction du niveau de vapeur réglé : Vapeur Maximum ou Vapeur Moyenne ou Vapeur Minimum

- Appuyer sur l'interrupteur de vapeur. De la vapeur est sortie tant que la touche est maintenue enfoncée.

Régulation du débit de vapeur

- Vapeur légère (niveau I) :
Pour vaporiser des plantes, nettoyer des tissus, des tapisseries, des meubles capitonnés, etc.
- Vapeur moyenne (niveau II) :
Pour les moquettes, tapis, vitres, sols.
- Forte vapeur (niveau III) :
Pour éliminer les salissures tenaces, les taches, la graisse.
- Mettre la régulation du débit de vapeur au niveau de la molette sur le niveau de vapeur souhaité.

Verser de l'eau chaude

⚠ **DANGER**

Risque de brûlure !

Remarque : L'eau froide (env. 158 °F/ 70 °C) augmente l'efficacité du nettoyage. Vérifier la résistance à la température de la surface à nettoyer.

→ Mettre la molette sur eau chaude.

Eau chaude

→ Appuyer sur l'interrupteur de vapeur. De l'eau chaude est émise tant que la touche est maintenue enfoncée.

Verser de l'eau froide

→ Mettre la molette sur eau froide.

Eau froide

→ Appuyer sur l'interrupteur de vapeur. De l'eau froide est sortie tant que la touche est maintenue enfoncée.

Aspiration

→ Démarrer le mode aspiration : Appuyer brièvement sur la touche aspiration.

→ Quitter le mode aspiration : Appuyer de nouveau brièvement sur la touche aspiration.

Mode combiné

→ Appuyer sur l'interrupteur de vapeur et appuyer brièvement en même temps sur la touche aspiration. Le mode aspiration commence et de l'eau chaude / froide est émise en même temps.

Mode vapeur / eau chaude / eau froide / aspiration (eco!efficiency)

Uniquement SGV 8/5 :

Dans le mode de fonctionnement eco!efficiency, l'appareil travaille avec une puissance d'aspiration réduite et un volume sonore réduit.

→ Mettre le bouton rotatif sur Mode vapeur / eau chaude / eau froide / mode aspiration (eco!efficiency).

Mode détergent / aspiration

Uniquement SGV 8/5 :

Remarque : Vérifier la constance du détergent de la surface à nettoyer.

Remarque : Pour ce mode de fonctionnement, la molette a dans chaque position la fonction « Verser de la solution de nettoyage ». Le mode vapeur / eau chaude / eau froide est désactivé.

→ Mettre le bouton rotatif sur Mode détergent / mode aspiration.

Verser de la solution de nettoyage

Produit de net.

→ Appuyer sur l'interrupteur de vapeur. De la solution de nettoyage est émise tant que la touche est maintenue enfoncée.

Aspiration

→ Démarrer le mode aspiration : Appuyer brièvement sur la touche aspiration.

→ Quitter le mode aspiration : Appuyer de nouveau brièvement sur la touche aspiration.

Mode combiné

→ Appuyer sur l'interrupteur de vapeur et appuyer brièvement en même temps sur la touche aspiration. Le mode aspiration commence et de la solution de nettoyage est émise en même temps.

Remarque : Dès que tout le contenu du réservoir à détergent est émis et de nouveau aspiré, le réservoir d'eau sale doit être vidé pour éviter une formation de mousse excessive.

Après un fonctionnement avec détergent / rinçage

Uniquement SGV 8/5 :

- Après un fonctionnement avec du détergent, l'appareil doit être rincé.
- Si le bouton rotatif n'est pas mis sur Rinçage après un fonctionnement avec du détergent, le message suivant apparaîtra à l'écran :

Prog. Rinçage
Sélectionner

- Mettre le bouton rotatif sur Rinçage.

Rinçage
Démarrer

- Maintenir l'interrupteur de vapeur enfoncé. Le rinçage démarre. Tenir la buse pour sol au-dessus d'un écoulement ou démarrer le mode aspiration.

Rinçage
_ _ _ _ _

Le rinçage est en cours. Le temps écoulé est affiché.

Remarque : Le processus de rinçage s'arrête quand l'interrupteur de vapeur est relâché. Le processus de rinçage continue avec une nouvelle pression sur l'interrupteur de vapeur.

Rinçage
Fini

Remarque : Le processus de rinçage peut être prolongé par une pression plus longue sur l'interrupteur de vapeur.

Vidanger le réservoir d'eau sale

- Ouvrir le cache du réservoir d'eau sale.
- Appuyer vers le bas sur le verrouillage du réservoir d'eau sale.
- Enlever le réservoir d'eau sale.
- Déverrouiller la fermeture du réservoir d'eau sale et enlever le couvercle.
- Vider le réservoir d'eau sale.

Rangement des accessoires

En cas de brève interruption du travail, la buse pour sol peut être mise en position de stationnement et le tube d'aspiration de vapeur peut être enclenché.

Mise hors service de l'appareil

- Mettre le bouton rotatif sur l'appareil sur « 0/OFF ».
- Retirer la fiche secteur.

auto-nettoyage

Uniquement SGV 8/5 :

- Mettre le bouton rotatif sur l'appareil sur Auto-nettoyage.

Autonettoyage
préparation

-Affichage en alternance-

Autonettoyage
cf. démarr. rap.

- Déclipser le support de la buse pour sol (position de stationnement)
- Enlever la buse pour sol du tube d'aspiration de vapeur.
- Enclencher le tube d'aspiration de vapeur dans le logement (en-dessous) et dans le support (au-dessus) jusqu'à ce que la poignée indique l'extérieur.

Autonettoyage
Démarrer

- Appuyer brièvement sur l'interrupteur de vapeur. L'auto-nettoyage commence

Autonettoyage
_ _ _ _ _

L'auto-nettoyage se déroule automatiquement. Le temps écoulé est affiché.

Autonettoyage
Fini

Après chaque mise en service

- Vider le réservoir d'eau propre.
- Vider le réservoir à détergent (SGV 8/5).
- Vider et nettoyer le réservoir d'eau sale.

- Nettoyer à fond les accessoires : nettoyer la poignée, le flexible d'aspiration de vapeur et les fiches d'accessoires avec un chiffon humide. Nettoyer les accessoires restants sous l'eau courante.
- Nettoyer l'extérieur de l'appareil à l'aide d'un chiffon humide.

Ranger l'appareil

- Appuyer sur le verrouillage de la fiche d'accessoires et sortir la fiche d'accessoires de la prise d'accessoires.
- Faire sécher suffisamment les accessoires et les mettre dans le rangement pour accessoires.
- Vider le réservoir d'eau propre.
- Uniquement SGV 8/5 : Vider et nettoyer le réservoir à détergent.

Illustration

- Conserver la buse pour sol, les tubes d'aspiration de vapeur, le flexible d'aspiration de vapeur et le câble d'alimentation conformément à la figure.
- Pour éviter les gênes par émission d'odeur avant des périodes d'immobilisation prolongée, retirer la totalité de l'eau de l'appareil.
- Faire sécher suffisamment l'appareil : Enlever un peu les réservoirs d'eau sale, d'eau propre et de détergent et ouvrir le cache du rangement à accessoires.
- Entreposer l'appareil dans un endroit sec et le sécuriser contre toute utilisation non autorisée.

Remarque : Laisser les brosses toujours refroidir de manière à éviter toute déformation des crins.

Utilisation des accessoires

Remarque : Les résidus de détergent ou les émulsions d'entretien qui se trouvent encore sur la surface à nettoyer peuvent provoquer la formation de stries lors du lavage à la vapeur qui disparaissent toutefois en cas d'applications multiples.

Poignée sans accessoires

Exemples d'application

- Pour éliminer les odeurs et les plis des vêtements accrochés en appliquant de la vapeur à une distance de 3.9-7.9 in (10-20 cm).

Buse à jet crayon

Plus la buse est proche de l'endroit à nettoyer, plus l'action nettoyante est efficace. En effet la température et la pression de la vapeur sont les plus élevées à la sortie.

Exemples d'application

- L'utilisation de la buse à jet crayon est recommandée pour des endroits difficiles à atteindre.
- Traitement des tâches sur les tapis ou les moquettes avant d'insérer la brosse.
- Nettoyage de surfaces en acier inoxydable, de vitres, de miroirs et de surfaces émaillées.
- Nettoyage de coins d'escalier, de cadres de fenêtres, de montants de porte, de profilés en aluminium.
- Nettoyage de robinetteries.
- Nettoyage de volets, de radiateurs, nettoyage intérieur des véhicules.

Buse à jet crayon et accessoires

- Brosse ronde, appropriée pour les salissures tenaces sur les surfaces particulièrement petites telles que les plaques de cuisson, les volets roulants, les joints de faïence, les installations sanitaires, etc.
- Remarque :** La brosse ronde ne convient pas au nettoyage des surfaces délicates.
- Prolongation : Grâce à cet accessoire, il est possible de réaliser un nettoyage optimal dans des endroits particulièrement inaccessibles. Idéal pour le nettoyage des radiateurs, des chambranles de porte, des fenêtres, des volets roulants, des installations sanitaires.

Buse de base

Exemples d'application

- Nettoyage de grandes surfaces, sols en céramique, en marbre, parquets, tapis, etc.
- Buse pour sol avec insert de lèvres en caoutchouc : Pour aspirer des liquides sur des surfaces brillantes.
- Buse pour sol avec insert de bandes de brosse : Pour supprimer et frotter les salissures très tenaces.

Buse manuelle

Exemples d'application

- Recommandé pour le nettoyage des larges surfaces vitrées, les miroirs ou les surfaces lisses en général ou encore pour le nettoyage de surfaces en tissu telles que les canapés, les matelas, etc.

Suceur à main et accessoires

- Lèvre en caoutchouc : pour les petites surfaces telles que les croisillons de fenêtre ou les miroirs. Pour les vitres ou pour de grandes surfaces comme par ex. des carreaux de faïence, des plans ou des surfaces en inox.
- Couronne de brosses : Pour les tapis, les escaliers, les équipements intérieurs d'automobile, les surfaces en tissu en général (après test sur une zone discrète). Pour nettoyer et frotter de manière abrasive.

Nettoyage des fenêtres

Remarque : Préchauffer la fenêtre en cas de saisons aux températures basses.

Mettre un peu de vapeur à une distance de 19.7 in (50 cm) env. sur toute la surface vitrée. Les tensions sur la surface qui pourraient entraîner un bris sont ainsi évitées.

- ➔ Pulvériser uniformément la vapeur sur la surface de verre depuis une distance d'env. 7.9 in (20 cm).
- ➔ Couper l'alimentation en vapeur.

- ➔ Parcourir la surface de verre par voies du haut vers le bas avec la lèvre en caoutchouc.
- ➔ Assécher la lèvre en caoutchouc et le bord inférieur de la fenêtre après chaque utilisation.

Buse triangulaire

La buse triangulaire doit être utilisée en combinaison avec la fonction aspiration.

Transport

⚠ **PRÉCAUTION**

*Risque de blessure et d'endommagement !
Respecter le poids de l'appareil lors du transport.*

- ➔ Mettre la buse pour sol dans le rangement sur la partie arrière de l'appareil et enclencher le tube d'aspiration de vapeur. Enlever les tubes d'aspiration de vapeur.
- ➔ Desserrer le frein d'arrêt et pousser l'appareil au niveau du guidon de poussée.
- ➔ Pour le charger, saisir l'appareil par la poignée encastrée et au niveau du guidon.
- ➔ Pour transporter l'appareil sur de plus longues distances, le tirer derrière soi au moyen du guidon de poussée.
- ➔ Sécuriser l'appareil contre les glissements ou les basculements selon les directives en vigueur lors du transport dans des véhicules.
Vider au préalable tous les réservoirs.

Entreposage

⚠ **PRÉCAUTION**

*Risque de blessure et d'endommagement !
Prendre en compte le poids de l'appareil à l'entreposage.*

Cet appareil doit uniquement être entreposé en intérieur.

Entretien et maintenance

⚠ **DANGER**

Avant tous les travaux sur l'appareil, éteindre l'appareil, débrancher la fiche secteur et faire refroidir l'appareil.

Vérifier les joints

- Vérifier régulièrement l'état des joints (2x joints toriques) dans la fiche d'accessoires, dans la poignée et dans les tubes d'aspiration de vapeur. Le cas échéant, remplacer les joints.

Remplacement du filtre de saletés grossières

- Ouvrir le cache du réservoir d'eau sale.
- Appuyer vers le bas sur le verrouillage du réservoir d'eau sale.
- Enlever le réservoir d'eau sale.
- Déverrouiller la fermeture du réservoir d'eau sale et enlever le couvercle.
- Tourner le couvercle de 180° et le déposer.
- Enlever le filtre pour déchets volumineux du support à filtre et le remplacer.

Fréquence de maintenance

Tous les ans

- Faire démartrer l'appareil par le service après-vente.

Assistance en cas de panne

⚠ **DANGER**

Avant tous les travaux sur l'appareil, éteindre l'appareil, débrancher la fiche secteur et faire refroidir l'appareil.

⚠ **DANGER**

Seul le service après-vente est autorisé à effectuer des travaux de réparation sur l'appareil.

Affichage sans témoin lumineux

Produit de net.
Remplir

- Remplir détergent.
- Mettre correctement en place le réservoir à détergent et l'insérer jusqu'en butée.

Le témoin lumineux « Service » clignote jaune

Service
Erreur : E07

- Mettre l'appareil hors service, attendre un moment puis le rallumer.
- Si le témoin lumineux ne s'éteint pas, répéter le processus (max. 4 fois).

Service
Erreur : E14

Avertissement Détartrage (encore 100 h)

- Faire détartrer l'appareil par le service après-vente.

Le témoin lumineux « Service » s'allume en jaune

Service
Erreur : E15

Détartrage

- Faire détartrer l'appareil par le service après-vente.

Le témoin lumineux « Réservoir d'eau propre vide » s'allume en rouge

Eau fraîche
Remplir

- Ajouter de l'eau propre.
- Mettre correctement en place le réservoir d'eau propre et l'insérer jusqu'en butée.

Le témoin lumineux « Réservoir d'eau sale » s'allume en rouge

Eau usée
Vider

- Vider l'eau sale.
- Mettre correctement en place le réservoir d'eau sale et le verrouiller.

Le témoin lumineux « Défaut » clignote rouge

Service
Erreur : E01

- Mettre l'appareil hors tension.
- Contrôler le bon positionnement du réservoir d'eau propre.
- Mettre en marche l'appareil.
- Si le témoin lumineux ne s'éteint pas, répéter le processus (max. 4 fois).

Le témoin lumineux « Service » s'allume en jaune et le témoin lumineux « Défaut » s'allume en même temps en rouge.

Service
Erreur : E01

- Informer le service après-vente.

Service
Erreur : E07

- Informer le service après-vente.

Service
Erreur : E09

- Informer le service après-vente.

Service
Erreur : E16

- Informer le service après-vente.

Le témoin lumineux « Défaut » s'allume en rouge

Service
Erreur : E12

- Contrôler le bon positionnement de la fiche d'accessoires.
- Mettre l'appareil hors service, attendre un moment puis le rallumer.
- Si le défaut se répète, contacter le service après-vente.

Service
Erreur : E13

- Contrôler le bon positionnement de la fiche d'accessoires.
- Si de l'eau arrive dans la poignée, veiller à un séchage complet.

- Mettre l'appareil hors service, attendre un moment puis le rallumer.
- Si le défaut se répète, contacter le service après-vente.

Puissance d'aspiration insuffisante

- Enlever les bourrages dans la buse pour sol, le tube d'aspiration de vapeur, la poignée et le flexible d'aspiration de vapeur.
- Enlever les bourrages dans les accessoires.

Service après-vente

Si la panne ne peut être réparée, l'appareil doit être contrôlé par le service après-vente.

Garantie

Dans chaque pays, les conditions de garantie en vigueur sont celles publiées par notre société de distribution responsable. Les éventuelles pannes sur l'appareil sont réparées gratuitement dans le délai de validité de la garantie, dans la mesure où celles-ci relèvent d'un défaut matériel ou d'un vice de fabrication. En cas de recours en garantie, adressez-vous à votre revendeur ou au service après-vente agréé le plus proche munis de votre preuve d'achat.

Accessoires et pièces de rechange

- Utiliser uniquement des accessoires et des pièces de rechange autorisés par le fabricant. Des accessoires et des pièces de rechange d'origine garantissent un fonctionnement sûr et parfait de l'appareil.
- Une sélection des pièces de rechange utilisées le plus se trouve à la fin du mode d'emploi.
- Vous trouverez plus d'informations sur les pièces de rechange dans le menu Service du site www.kaercher.com.

Caractéristiques techniques

		SGV 6/5	SGV 8/5
Tension du secteur	V	120	120
Fréquence	Hz	1~ 60	1~ 60
Tension dans la poignée	V	5	5
Courant nominal	A	13	13
Puissance nominale de la soufflerie	W	1200	1200
Puissance consommée de la chaudière à vapeur	W	1600	1600
Pompe principale	W	52	52
Pompe à eau	W	27	27
Chaudière à vapeur	gal (l)	0.9 (3.4)	0.9 (3.4)
Volume de remplissage du réservoir d'eau propre	gal (l)	1.5 (5.6)	1.5 (5.6)
Volume de remplissage du réservoir d'eau sale	gal (l)	1.3 (5.0)	1.3 (5.0)
Volume de remplissage du réservoir à détergent	gal (l)	--	0.5 (2.0)
Débit d'air (max.)	CFM (l/s)	150 (71)	150 (71)
Dépression (max.)	mm (kPa)	2590 (254)	2590 (254)
Pression de service	psi (MPa)	87 (0.6)	116 (0.8)
Pression de vapeur (max.)	psi (MPa)	145 (1.0)	174 (1.2)
Débit de vapeur (max.) - constant	oz/min (g/min)	1.9 (55)	1.9 (55)
Temps de chauffage	min	12.0	13.5
Température maximale de travail de l'eau chaude	°F (°C)	158 (70)	158 (70)
Température maximale de travail du fonctionnement à vapeur	°F (°C)	327 (164)	343 (173)
Débit (eau)	gal/min (l/min)	0.16 (0.6)	0.16 (0.6)
Débit (détergent)	gal/min (l/min)	--	0.18 (0.7)
Type de protection	--	IPX4	IPX4
Classe de protection	--	I	I
Longueur x largeur x hauteur	in (mm)	22.2 x 19.5 x 38.0 (640 x 495 x 965)	22.2 x 19.5 x 38.0 (640 x 495 x 965)
Poids de fonctionnement typique	lbs (kg)	85 (39)	88 (40)
Angle d'inclinaison (max.)	°	10	10
Valeurs déterminées selon EN 60335-2-68			
Niveau de pression acoustique L _{pA}	dB(A)	67	67
Incertitude K _{pA}	dB(A)	1	1

Câble d'alimentation	SJOW 3/14 AWG	
	Référence	Longueur de câble
CUL	6.650-477.0	7.5 m

INSTRUCCIONES IMPORTANTES DE SEGURIDAD

ANTES DE LA PRIMERA PUESTA EN MARCHA DEL APARATO DEBERÁN OBSERVARSE LOS SIGUIENTES PUNTOS

- Si al desembalar el aparato comprobara Vd. algún daño o desperfecto en el mismo atribuible al transporte, rogamos se dirija inmediatamente al distribuidor en donde adquirió el aparato.
- Extraiga la totalidad de las piezas y accesorios del aparato que se encuentran en el recipiente del mismo o en la caja de cartón del embalaje.
- El aparato no es apropiado para la aspiración de polvos nocivos para la salud, como por ejemplo amianto. Para este tipo de aplicaciones deberá ponerse en contacto con su Distribuidor o la Delegación Nacional de Kärcher.
- Operar el dispositivo solo con un enchufe de toma a tierra. Consultar los datos técnicos para el fusible principal necesario.
- Conectar exclusivamente a una toma con puesta a tierra. Consultar las instrucciones de puesta a tierra.

Al utilizar esta máquina eléctrica es imprescindible observar algunas precauciones básicas, incluidas las siguientes: Este dispositivo está diseñado para uso comercial.

- 1 DESCONECTAR EL DISPOSITIVO DE LA CORRIENTE antes de quitar la cubierta, realizar trabajo de mantenimiento y cuando no esté en uso.
- 2 NO DEJAR EL APARATO sin vigilancia, mientras esté enchufado.
- 3 COMPROBAR SIEMPRE EL CABLE DE ALIMENTACIÓN por si tuviera daños o signos de que envejecimiento antes de cada uso. Si se encuentran daños, el cable se tiene que sustituir antes de usar.

- 4 NO TIRAR DEL CABLE PARA TRANSPORTAR EL DISPOSITIVO. No usar el cable como asa. Mantener el cable alejado de superficies calientes o fuego. No cerrar la puerta con el cable o pasar el cable por esquinas afiladas.
- 5 NO EXPONGA EL CABLE A LO CALIENTE NI A ACEITES. Para prevenir un tropiezo, no deje el cable suelto después de usarlo.
- 6 PARA EVITAR PELIGROS, no pasar la máquina por encima del cable.
- 7 PONGA EL SELECTOR EN LA POSICION DE <<OFF>> antes de desenchufar el aparato.
- 8 NO DESENCHUFE EL CABLE DE UN TIRON (Jalón). Para desenchufarle agarre la clavija (enchufe) no el cable.
- 9 NO AGARRE LA CLAVIJA (ENCHUFE) CON LAS MANOS MOJADAS.
- 10 EL CABLE ELECTRICO (O LA CLAVIJA) sólo debe ser reemplazado por un representante de un Centro de Servicio Autorizado. SE NINGUNA MANERA DEBE INTENTAR LA REPARACION DEL CABLE ELECTRICO.
- 11 PARA PREVENIR CHOQUES ELECTRICOS, no exponga la herramienta a la lluvia. Guárdela en un lugar seco.
- 12 SOLO USE EL APARATO COMO ESTA RECOMENDADO EN ESTE MANUAL. También use únicamente los accesorios recomendados.
- 13 MANTENGA ALEJADOS EL CABELLO (PELO), ROPA, ALHAJAS SUELTAS, DEDOS o cualquier otra parte del cuerpo, de las aberturas y partes móviles de la máquina.
- 14 NO CUBRA NI OBSTRUYA LAS ABERTURAS. Mantenga las aberturas libres de pelusa, pelo, polvo y cualquier cosa que limite la circulación del aire.
- 15 NO ACOGE NINGUNA COSA QUE SE ESTE QUEMANDO, ardiendo sin llama o echando humo, tal como cigarrillos (cigarros), fósforos (cerillos) o cenizas calientes.

- 16 NO ASPIRE MATERIALES COMBUSTIBLES O EXPLOSIVOS, tal como carbón de piedra, cereales (o su polvo) u otra sustancia fina y combustible.
- 17 NO ASPIRE MATERIALES COMBUSTIBLES, peligrosos, tóxicos o carcinógenos por ejemplo: gasolina, gasoil (petróleo para diesel), acetona, diluyente para pintura, aceite combustible, ácidos y disolventes no diluidos, pesticidas y amianto (asbesto).
- 18 CONECTAR EL DISPOSITIVO EXCLUSIVAMENTE A UNA TOMA CON PUESTA A TIERRA. Consultar las instrucciones de puesta a tierra.
- 19 NO PERMITA QUE EL APARATO SE USE COMO JUGUETE. Mantener alejado de los niños.
- 20 NO DEJAR LA MÁQUINA SIN SUPERVISIÓN cuando esté en funcionamiento.
- 21 NO USAR SI EL CABLE; EL ENCHUFE O LA MÁQUINA ESTÁN EN MAL ESTADO. Si el aparato se ha caído, dañado, dejado al aire libre o caído al agua, solicite a un servicio autorizado que lo examine.
- 22 USAR SIEMPRE GAFAS DE SEGURIDAD cuando se opere la máquina.
- 23 USE EXTREMA PRECAUCION al limpiar escaleras.
- 24 ¡ESTAR ATENTO! No usar la máquina si está cansado o bajo la influencia de alcohol, drogas o medicación.
- 25 No usar para recoger líquidos inflamables o combustible, como gasolina, ni utilizar el aparato en áreas donde pueden estar presentes.
- 26 Para reducir el riesgo de incendio, no usar líquidos inflamables ni combustibles para limpiar el suelo.
- 27 Apagar la máquina inmediatamente en caso de espuma o fuga de líquidos.

CONSERVE ESTAS INSTRUCCIONES

Este dispositivo está diseñado para uso comercial.

INSTRUCCIONES DE SEGURIDAD

INSTRUCCIONES DE PUESTA A TIERRA

- Este aparato debe ser puesto a tierra. Si funciona mal o se estropea, la toma a tierra ofrece una ruta de menor resistencia para la corriente eléctrica para reducir el riesgo de una descarga eléctrica.
- Este aparato está equipado con un cable que tiene un conductor con toma a tierra para el equipo y un enchufe con toma a tierra.
- El enchufe se debe insertar en una clavija apropiada que esté instalada correctamente y puesta a tierra de acuerdo con los códigos y normativas locales.

ADVERTENCIA:

- Una conexión incorrecta del conductor del equipo de toma a tierra puede provocar una descarga eléctrica.
- Consulte a un electricista cualificado o a un técnico si tiene dudas acerca de si el enchufe tiene la toma a tierra correcta.
- No modifique el enchufe suministrado del aparato.
- Si no encaja en el enchufe, solicite a un electricista cualificado que instale un enchufe correcto.
- El aparato se usa con un circuito de 120 voltios y tiene un enchufe con toma a tierra que tiene el mismo aspecto que la ilustración A.
- Se puede usar un adaptador temporal como el de la ilustración B para conectar este enchufe a un receptáculo bipolar como se indica en la ilustración B si no hay un enchufe con toma a tierra correcto.
- El adaptador temporal sólo se debe usar hasta que el electricista cualificado haya instalado el enchufe con toma a tierra (fig. A).

- La orejeta verde rígida o similares que se extiende desde el adaptador se debe conectar a una toma permanente a tierra como una cubierta de caja con toma a tierra correcta.
- Siempre que se use el adaptador se debe mantener sujeto con un tornillo metálico.

EN TODOS LOS CASOS, ASEGÚRESE DE QUE EL RECEPTÁCULO EN CUESTIÓN TIENE UNA TOMA A TIERRA CORRECTA.

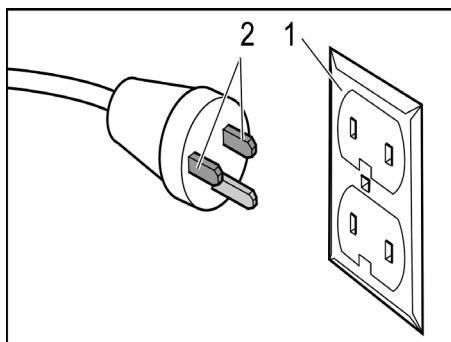
NO RETIRE LA TOMA A TIERRA DEL ENCHUFE DE ALIMENTACIÓN.

CABLES ALARGADORES

Usar sólo cables alargadores de tres alambres que tengan enchufes triples y el receptáculo tripolar que acepta el enchufe del aparato. Sustituir inmediatamente el cable dañado o usado.

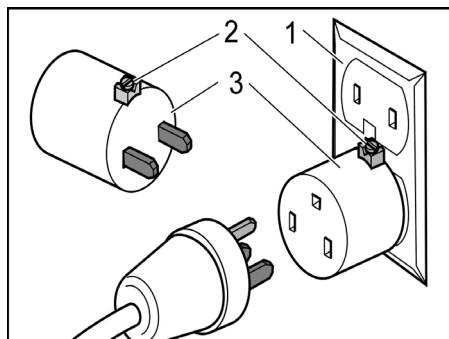
NO INTENTE REPARAR EL CABLE DE ALIMENTACIÓN.

Figura A



- 1 Caja de toma de corriente con puesta a tierra
 - 2 Horquillas conductoras de corriente
- La horquilla de toma a tierra es la más larga de las 3

Figura B



- 1 Caja de toma de corriente con puesta a tierra
- 2 Medios de toma a tierra
- 3 Adaptador

Nota: en Canadá, el uso de un adaptador temporal no está permitido por el código canadiense de electricidad.

Mantenimiento del aparato dotados de doble aislamiento

Un aparato dotado de doble aislamiento incorpora dos sistemas de aislamiento en lugar de la puesta a tierra. Es decir, el aparato dotado de doble aislamiento no incorporan ningún conductor ni dispositivo de puesta a tierra ni hay que acoplar a adicionalmente a los mismos una puesta a tierra. Los trabajos de mantenimiento de un aparato dotado de un sistema de doble aislamiento requieren unos conocimientos particularmente amplios y completos de dicho dispositivo y del aparato en cuestión, debiendo ser ejecutados exclusivamente por personal especializado del Servicio Técnico Postventa Oficial. En caso de tener que sustituir piezas o componentes defectuosos del aparato de doble aislamiento, las piezas de repuesto deberán ser idénticas a las piezas defectuosas.



Antes del primer uso de su aparato, lea este manual original, actúe de acuerdo a sus indicaciones y guárdelo para un uso posterior o para otro propietario posterior.

- El incumplimiento de las instrucciones de uso y de las indicaciones de seguridad puede provocar daños en el aparato y poner en peligro al usuario y a otras personas.
- En caso de daños de transporte informe inmediatamente al fabricante.

Índice de contenidos

Protección del medio ambiente	ES	1
Niveles de peligro	ES	1
Uso previsto	ES	1
Símbolos en el aparato	ES	2
Resumen	ES	2
Dispositivos de seguridad	ES	3
Métodos de limpieza	ES	3
Puesta en marcha	ES	4
Manejo	ES	5
Empleo de los accesorios	ES	9
Transporte	ES	10
Almacenamiento	ES	10
Cuidados y mantenimiento	ES	10
Ayuda en caso de avería	ES	11
Garantía	ES	12
Accesorios y piezas de repuesto	ES	12
Datos técnicos	ES	13

Protección del medio ambiente



Los materiales empleados para el embalaje son reciclables y recuperables. No tire el embalaje a la basura doméstica y entréguelo en los puntos oficiales de recogida para su reciclaje o recuperación.



Los aparatos viejos contienen materiales valiosos reciclables que deberían ser entregados para su aprovechamiento posterior. Evite el contacto de baterías, aceites y materias semejantes con el medio ambiente. Por este motivo, entregue los aparatos usados en los puntos de recogida previstos para su reciclaje.

Indicaciones sobre ingredientes (REACH)

Encontrará información actual sobre los ingredientes en:

www.kaercher.com/REACH

Niveles de peligro

⚠ PELIGRO

Para un peligro inminente que acarrea lesiones de gravedad o la muerte.

⚠ ADVERTENCIA

Para una situación que puede ser peligrosa, que puede acarrear lesiones de gravedad o la muerte.

⚠ PRECAUCIÓN

Indicación sobre una situación que puede ser peligrosa, que puede acarrear lesiones leves.

⚠ CUIDADO

Aviso sobre una situación probablemente peligrosa que puede provocar daños materiales.

Uso previsto

⚠ ADVERTENCIA

El aparato no es apto para aspirar polvos nocivos para la salud.

- El aparato está diseñado para generar vapor y aspirar líquidos y partículas sólidas derramadas, tal como describe el presente manual de instrucciones.
- Este aparato es apto para el uso en aplicaciones industriales, como en hoteles, escuelas, hospitales, fábricas, tiendas, oficinas y negocios de alquiler.

Símbolos en el aparato



Vapor

ATENCIÓN – Existe peligro de escaldamiento

Resumen

Guía rápida SGV 6/5

Figura A

- 1 Llenar el depósito de agua limpia
- 2 Montaje de los accesorios
- 3 Seleccionar modo de servicio, calentar el equipo
- 4 Limpiar - modo de vapor/aspirar
- 5 Vaciar el depósito de agua sucia
- 6 Guardar accesorios
- 7 Almacenamiento del aparato

Guía rápida SGV 8/5

Figura A

- 1 Llenar el depósito de agua limpia, Preparar la solución de detergente, Llenar el depósito de detergente
- 2 Montaje de los accesorios
- 3 Seleccionar modo de servicio, calentar el equipo
- 4 Limpiar - modo de vapor/aspirar
- 5 Limpiar - modo de detergente/aspirar
- 6 Enjuagar el aparato
- 7 Limpiar - modo de vapor/aspirar
- 8 Vaciar el depósito de agua sucia
- 9 Realizar una autolimpieza
- 10 Guardar accesorios
- 11 Almacenamiento del aparato

Elementos del aparato

Figura B

- 1 Bloqueo del recipiente de agua sucia
- 2 Tapa del recipiente de agua sucia
- 3 Recipiente de agua sucia
- 4 filtro de partículas gruesas de suciedad
- 5 Soporte del filtro
- 6 Manguera de aspiración de vapor
- 7 Estribo de empuje
- 8 Portamangueras
- 9 Adaptador para accesorios (Homebase)
- 10 Soporte para la tubería de aspiración de vapor (posición de estacionamiento)

- 11 Alojamiento de la tubería de aspiración de vapor (autolimpieza) (solo SGV 8/5)
- 12 Soporte para la boquilla de suelos (posición de estacionamiento)
- 13 Rodillo-guía con freno de estacionamiento
- 14 Recipiente de detergente (SGV 8/5)
Recipiente para la botella pulverizadora de detergente (SGV 6/5)
- 15 Mango empotrado
- 16 Recipiente de agua limpia
- 17 Clavija de enchufe de accesorios
- 18 Bloqueo de la clavija de enchufe de accesorios
- 19 Inserto del racor de goma para la boquilla de suelos
- 20 Boquilla barredora de suelos
- 21 Bloqueo de los insertos para la boquilla para suelos
- 22 Boquilla triangular
- 23 Clavija de accesorios
- 24 Tapa de la clavija de enchufe de accesorios
- 25 Panel de control
- 26 Tapa del soporte de accesorios
- 27 Soporte para accesorios
- 28 Bloqueo de accesorios
- 29 Cierre giratorio del recipiente de detergente (solo SGV 8/5)
- 30 Cierre giratorio del recipiente de agua limpia
- 31 Asa del recipiente de agua limpia, plegable
- 32 Botella pulverizadora de detergente (solo SGV 6/5)
- 33 Tubería de aspiración de vapor
- 34 cepillo circular
- 35 Mango
- 36 Boquilla de chorro concentrado/adaptador para boquilla de juntas
- 37 Alargador para boquilla de chorro concentrado
- 38 Racor de goma para boquilla de mano
- 39 boquilla de limpieza manual
- 40 Corona de cepillo para boquilla de mano
- 41 Boquilla para juntas
- 42 Inserto de tiras de cepillo para boquilla de suelos

- 43 Peldaño
- 44 Soporte para boquilla para suelos
- 45 Gancho de cable, giratorio
- 46 Salida de aire, aire de trabajo
- 47 Soporte para tubería de aspiración de vapor
- 48 Cable de conexión a la red
- 49 Soporte para boquilla triangular
- 50 Guía rápida
- 51 Tapa del recipiente de agua sucia
- 52 Cierre del recipiente de agua sucia
- 53 Placa de características

Panel de control

Figura **Q**

- 1 0/OFF
- 2 Tipo de servicio: modo de agua fría/aspiración
- 3 Tipo de servicio: modo de vapor/agua caliente/agua fría/aspiración (eco!efficiency)
- 4 Tipo de servicio: modo de vapor/agua caliente/agua fría/aspiración
- 5 Tipo de servicio: enjuagar (solo SGV 8/5)
- 6 Tipo de servicio: modo de detergente/aspiración (solo SGV 8/5)
- 7 Tipo de servicio: autolimpieza (solo SGV 8/5)
- 8 interruptor giratorio
- 9 pantalla (solo SGV 8/5)
- 10 Piloto de control "Disponibilidad" (verde)
- 11 Piloto de control "calefacción encendida" (verde)
- 12 Piloto de control "Servicio" (amarillo)
- 13 Piloto de control "Recipiente de agua limpia vacío" (rojo)
- 14 Piloto de control "Recipiente de agua sucia lleno" (rojo)
- 15 Piloto de control "Avería" (rojo)
- 16 Volante manual
- 17 Tecla de aspiración
- 18 Selector de vapor
- 19 Muesca de seguridad
- 20 Regulación de vapor: Niveles I-II-III
- 21 Aplicar agua caliente
- 22 Aplicar agua fría

Dispositivos de seguridad

La función de los dispositivos de seguridad es proteger al usuario y está prohibido ponerlos fuera de servicio y modificar o ignorar su funcionamiento.

Muesca de seguridad

- El mango posee un gatillo en el interruptor de vapor, que evita la salida accidental de vapor.
- Si durante el funcionamiento la manguera de aspiración queda brevemente desatendida, se recomienda activar el seguro (extraer el gatillo). Para activar la salida de vapor de nuevo, desactivar el seguro (introducir hacia dentro el gatillo).

Métodos de limpieza

Limpieza de diferentes materiales

- Antes de trabajar con cuero, telas especiales y superficies de madera, lea las instrucciones del fabricante y realice siempre una prueba en un lugar oculto o una muestra. Deje secar la superficie tratada con vapor para comprobar si ha habido variaciones de color o de forma.
- Para limpiar elementos de madera (muebles, puertas, etc.), se recomienda proceder con sumo cuidado, ya que un tratamiento con vapor demasiado prolongado podría dañar el encerado, el brillo o el color de la superficie. Por lo tanto, en el caso de estas superficies, se recomienda utilizar el vapor sólo en breves intervalos o realizar la limpieza con un paño sometido previamente a una aplicación de vapor.
- Para las superficies muy delicadas (materiales sintéticos, superficies esmaltadas, etc.), se recomienda utilizar la función de vaporización con mínima intensidad.
- Limpieza de acero inoxidable: evitar el uso de cepillos abrasivos. Usar una boquilla de mano con racor de goma o boquilla de chorro concentrado sin cepillo redondo.

Refreshar materiales textiles

Antes del tratamiento con el equipo, comprobar siempre la tolerancia de los tejidos en una zona oculta: Primero aplicar una gran cantidad de vapor, después dejar secar y a continuación comprobar si hay modificación en el color o la forma.

Limpeza de superficies recubiertas con una capa protectora o barnizadas

Al limpiar superficies lacadas o con revestimiento sintético, como muebles de cocina o salón, puertas, parqué se puede soltar la cera, el producto tratante para muebles, los revestimientos de plástico o el color o bien dejar manchas. Para limpiar estas superficies, aplicar vapor con un paño sobre la superficie.

Detergente

⚠ **ADVERTENCIA**

Peligro para la salud, peligro de daños. Se deben respetar todas las indicaciones que incluyen los detergentes.

CUIDADO

Las soluciones de detergente con un pH superior a 13 (alcalino) e inferior a 2 (ácido) pueden provocar daños en el equipo.

Indicación: Utilice los detergentes con moderación para no perjudicar el medio ambiente.

Zona de la cocina	Disolvente de grasa y proteínas RM 731 (alcalino)
Pavimentos de suelo, p.ej. azulejos de seguridad	Limpiador universal de suelos RM 743 (alcalino)
	Limpiador para gres fino RM 753 (alcalino)
Zona de sanitarios, p.ej. ducha, pavimentos de suelo con restos de cal	Limpiador de suelos CA 20C (ácido)

Para obtener más información, solicitar la hoja de información del producto y la hoja de datos de seguridad de la UE del detergente correspondiente.

Puesta en marcha

Botella pulverizadora de detergente

Solo SGV 6/5:

Indicación: La botella pulverizadora suministrada está vacía.

→ Llenar la botella pulverizadora con detergente.

Preparar la solución de detergente

Solo SGV 8/5:

→ Mezclar agua limpia (máx. 104 °F/ 40 °C) y detergente en un recipiente limpio (concentración de acuerdo con las indicaciones para el detergente).

Llenar el depósito de detergente

Solo SGV 8/5:

→ Extraer el recipiente de detergente.

→ Desatornillar el cierre giratorio del recipiente de detergente.

Indicación: Por motivos técnicos (ventilación automática de las bombas) puede haber agua en el recipiente de detergente.

→ Llenar el recipiente de detergente con solución de detergente.

→ Enroscar de nuevo el cierre giratorio del recipiente de detergente.

→ Introducir hasta el tope el recipiente de detergente.

Llenar el depósito de agua limpia

→ Extraer el recipiente de agua limpia.

→ Desatornillar el cierre giratorio del recipiente de agua limpia.

→ Llenar el recipiente de agua limpia con al menos 0.8 gal (3 litros) de agua.

Indicación: Puede usarse agua del grifo normal.

→ Enroscar de nuevo el cierre giratorio del recipiente de agua limpia.

→ Introducir hasta el tope el recipiente de agua limpia.

Montaje de los accesorios

⚠ PELIGRO

¡Existe peligro de escaldamiento! Para evitar que salga el vapor al separar los accesorios, se tendrá que extraer el gatillo del interruptor de vapor.

→ Comprobar si el accesorio está conectado de forma segura antes de su uso.

Accesorios con conexión insertable

→ Abrir la tapa de la clavija de enchufe de accesorios, insertar la clavija del accesorio en el enchufe y encajar de forma que se oiga.

→ Conectar accesorios: conectar el asa o la tubería de aspiración de vapor con el accesorio deseado. Introducir unas piezas en otras hasta que se oiga como encaja el bloqueo de accesorios.

→ Desacoplamiento de los accesorios: mantener presionado el bloqueo de los accesorios y separar las piezas.

Accesorios con conexión roscada

→ Conectar el accesorio enroscable y apretar con la mano.

Cambiar los insertos de la boquilla de suelos

Figura D

Cambiar los insertos de la boquilla de mano

Figura E

Manejo

Durante el funcionamiento, es necesario que el aparato se encuentre en posición horizontal.

Pantalla

Solo SGV 8/5:

- En la pantalla se muestra texto o una representación de rayas/barras.
- La representación de rayas/barras conforma un período de tiempo determinado. Al comienzo del período de tiempo se muestran 10 barras, sustituidos de derecha a izquierda por rayas, hasta que al final se muestren 10 rayas.

Texto
_ _ _ _ _

Idioma de pantalla configurado de fábrica

- Inglés

Seleccionar el idioma de la pantalla

Idiomas de pantalla disponibles:

- Alemán
 - Inglés
 - Francés
 - Español
 - Japonés
- Ponga la rosca del aparato en "0/OFF".
- Poner la rosca del asa en agua fría.
- Pulsar la tecla de aspiración y el interruptor de vapor
- Poner la rosca en modo agua fría/aspiración.

language
English

La línea inferior parpadea porque no se ha guardado todavía el idioma de la pantalla.

- Soltar la tecla de aspiración y el interruptor de vapor.
- Seleccionar el idioma con ayuda de la rosca.
- Pulsar el interruptor de vapor para guardar el idioma de la pantalla. La línea inferior deja de parpadear.

Conexión del aparato

CUIDADADO

¡Peligro de daños! No volcar el aparato si está conectado.

- Enchufe la clavija de red.
- Ajustar la rosca al modo de servicio deseado.

Esperar
llenado

Modo de agua fría/aspiración

Indicación: En este modo, la rosca tiene la función "Aplicar agua fría" en cada posición. El modo de vapor/agua caliente está desactivado.

- Poner la rosca en modo agua fría/aspiración.

Aplicar agua fría

Agua fría

- Pulsar el interruptor de vapor. Se suministrará agua fría mientras se pulse la tecla.

Modo de absorción

- Iniciar el modo de aspiración: Pulse brevemente la tecla de aspiración.
- Finalizar el modo de aspiración: Pulse brevemente la tecla de aspiración de nuevo.

Modo combinado

- Pulsar el interruptor de vapor y pulsar simultáneamente la tecla de aspiración. El modo de aspiración comienza y simultáneamente se suministrará agua fría.

Modo de vapor/agua caliente/agua fría/aspiración

- Poner la rosca en modo de vapor/agua caliente/agua fría/aspiración.

⚠ PELIGRO

¡Existe peligro de escaldamiento! Para evitar que salga vapor de forma involuntaria, se puede extraer el gatillo del interruptor de vapor.

Modo de vapor

⚠ PELIGRO

Existe peligro de escaldamiento.

El proceso de calefacción comienza y el piloto de control "Calefacción encendida" parpadea en verde.

Caletar

_ _ _ _ _

El proceso de calefacción concluye transcurridos aprox. 7 minutos. Piloto de control "Calefacción encendida" se ilumina en verde.

Indicación: La calefacción se conecta siempre durante el uso (el piloto parpadea en verde), para mantener la presión en la caldera.

Vapor/agua cal.

Listo

-Indicador en cambio-

Vapor/agua cal.

Vapor máx.

En la pantalla se mostrará lo siguiente dependiendo del nivel de vapor configurado: Vapor máximo o vapor medio o vapor mínimo

- Pulsar el interruptor de vapor. Se suministrará vapor mientras se pulse la tecla.

Regulación de vapor

- Vapor ligero (nivel I):
Para rociar plantas, limpiar telas, papeles pintados, muebles tapizados, etc.
- Vapor medio (nivel II):
Para alfombras, moquetas, ventanas, pisos.
- Vapor fuerte (nivel III):
Para eliminar manchas, grasa y suciedad resistente.
- Poner la regulación de vapor al nivel de vapor deseado con la rosca.

Aplicar agua caliente

⚠ PELIGRO

Existe peligro de escaldamiento.

Indicación: El agua caliente aumenta (aprox. 158 °F/70 °C) el efecto de limpieza. Comprobar la resistencia a la temperatura de la superficie a limpiar.

→ Poner la rosca en agua caliente.

Agua caliente

→ Pulsar el interruptor de vapor. Se suministrará agua caliente mientras se pulse la tecla.

Aplicar agua fría

→ Poner la rosca en agua fría.

Agua fría

→ Pulsar el interruptor de vapor. Se suministrará agua fría mientras se pulse la tecla.

Modo de absorción

- Iniciar el modo de aspiración: Pulse brevemente la tecla de aspiración.
- Finalizar el modo de aspiración: Pulse brevemente la tecla de aspiración de nuevo.

Modo combinado

→ Pulsar el interruptor de vapor y pulsar simultáneamente la tecla de aspiración. El modo de aspiración comienza y simultáneamente se suministrará vapor o agua caliente/fría.

Modo de vapor/agua caliente/agua fría/aspiración (eco!efficiency)

Solo SGV 8/5:

Con el modo eco!efficiency, el aparato trabaja con una potencia de aspiración reducida y un volumen reducido.

→ Poner la rosca en modo de vapor/agua caliente/agua fría/aspiración (eco!efficiency).

Modo de detergente/aspiración

Solo SGV 8/5:

Indicación: Comprobar la resistencia al detergente de la superficie a limpiar.

Indicación: En este modo, la rosca tiene la función "Aplicar solución de detergente" en cada posición. El modo de vapor/agua caliente/fría está desactivado.

→ Poner la rosca en modo de detergente/aspiración.

Aplicar solución de detergente

Detergente

→ Pulsar el interruptor de vapor. Se suministrará solución de detergente mientras se pulse la tecla.

Modo de absorción

- Iniciar el modo de aspiración: Pulse brevemente la tecla de aspiración.
- Finalizar el modo de aspiración: Pulse brevemente la tecla de aspiración de nuevo.

Modo combinado

→ Pulsar el interruptor de vapor y pulsar simultáneamente la tecla de aspiración. El modo de aspiración comienza y simultáneamente se suministrará solución de detergente.

Indicación: Tan pronto como se aplique todo el contenido del recipiente de detergente y se haya vuelto a aspirar, se tiene que vaciar el recipiente de agua sucia para evitar que se forme espuma en exceso.

Después del funcionamiento con detergente / enjuagar

Solo SGV 8/5:

- Tras el funcionamiento con detergente se tiene que enjuagar el aparato.
- Si la rosca no se pone en enjuagar tras el modo con detergente, aparecerá en la pantalla el siguiente mensaje:

Seleccionar
enjuague

- Girar la rosca a enjuagar.

Iniciar
enjuague

- Mantener pulsado el interruptor de vapor. Comienza el enjuague. Mantener la boquilla de suelo por encima del desagüe o iniciar el modo de aspiración.

enjuague
_ _ _ _ _

Enjuague en marcha. Se mostrará el trascurso del tiempo.

Indicación: Si se suelta el interruptor de vapor, se para el proceso de enjuague. Si se pulsa de nuevo el interruptor de vapor, se continua el proceso de enjuague.

enjuague
finalizado

Indicación: El proceso de enjuague se puede prolongar pulsando el interruptor de vapor durante un período largo.

Vaciar el depósito de agua sucia

- Abrir la tapa del recipiente de agua sucia.
- Presionar hacia arriba el recipiente de agua sucia.
- Extraer el recipiente de agua sucia.
- Desbloquear el cierre del recipiente de agua sucia y quitar la tapa.
- Vacíe el depósito de agua sucia.

Deposite los accesorios

Si se interrumpe brevemente el trabajo, se puede poner la boquilla de suelos en la posición de estacionamiento y encajar la tubería de aspiración de vapor.

Desconexión del aparato

- Ponga la rosca del aparato en "0/OFF".
- Extraer el enchufe de la red.

Autolimpieza

Solo SGV 8/5:

- Ponga la rosca del aparato en autolimpieza.

Preparar
autolimpieza

-Indicador en cambio-

Autolimpieza
véase Quickstart

- Abatir el soporte para la boquilla de suelos (posición de estacionamiento).
- Quitar la boquilla de suelos de la tubería de aspiración de vapor.
- Encajar la tubería de aspiración de vapor en el alojamiento (abajo) y en el soporte (arriba), de forma que el asa mire hacia fuera.

Iniciar
autolimpieza

- Pulsar brevemente el interruptor de vapor. Comienza la autolimpieza.

Autolimpieza
_ _ _ _ _

La autolimpieza finaliza automáticamente. Se mostrará el trascurso del tiempo.

Autolimpieza
finalizado

Después de cada puesta en marcha

- Vaciar el recipiente de agua limpia.
- Vaciar el depósito de detergente (SGV 8/5).
- Vaciar y limpiar el recipiente de agua sucia.
- Limpiar a fondo accesorios: Limpiar el asa, la manguera de aspiración de vapor y la clavija de conexión de accesorios con un paño húmedo. Limpiar el resto de accesorios debajo del chorro de agua corriente.
- Limpiar la carcasa por fuera con un paño húmedo.

Almacenamiento del aparato

- Pulsar el bloqueo de la clavija de conexión de accesorios y sacarla.
- Secar bien el accesorio y colocar en el soporte de accesorios.
- Vaciar el recipiente de agua limpia.
- Solo SGV 8/5: Vaciar y limpiar el recipiente de detergente.

Figura **F**

- Guardar la boquilla de suelos, la tubería de aspiración de vapor, la manguera de aspiración de vapor y el cable de alimentación tal y como se indica en la imagen.
- Para evitar los olores, vaciar toda el agua del aparato antes de largas paradas.
- Dejar secar bien el aparato: Extraer algo el recipiente de agua sucia, el de agua limpia y el de detergente y abrir la tapa del soporte de accesorios.
- Coloque el aparato en un cuarto seco y protéjalo frente a un uso no autorizado.

Indicación: Dejar enfriar siempre los cepillos para evitar que se deformen las cerdas.

Empleo de los accesorios

Indicación: Los restos de detergente que aún se encuentren en las superficies a limpiar, podrán provocar estrías al limpiar con el vapor, pero desaparecen tras varios usos.

Asa sin accesorios

Ejemplos de aplicación

- Para eliminar olores y arrugas de la ropa que cuelgue, aplicar vapor desde una distancia de 3.9-7.9 in (10-20 cm).

Boquilla de chorro concentrado

Cuanto más cerca esté la boquilla del objeto a limpiar, mayor será el efecto limpiador del vapor, dado que la temperatura y la presión del vapor alcanzan sus valores máximos directamente al salir.

Ejemplos de aplicación

- El uso de la boquilla de chorro concentrado se recomienda para los lugares de difícil acceso.
- Tratar manchas en alfombras o moquetas antes de aplicar el cepillo.
- Limpiar acero inoxidable, ventanas, espejos y superficies esmaltadas.
- Limpiar rincones y esquinas en escaleras, marcos de ventanas, jambas de puertas y perfiles de aluminio.
- Limpiar la grifería.
- Limpiar contraventanas, radiadores y el interior del automóvil.

Boquilla de chorro concentrado y accesorios

- Cepillo circular, apto para suciedad resistente en superficies muy pequeñas como placas de cocina, persianas, juntas de azulejos, instalaciones sanitarias, etc.

Indicación: No emplee el cepillo circular para la limpieza de superficies delicadas.

- Elemento de prolongación: Este accesorio permite realizar una limpieza óptima en lugares de muy difícil acceso. Ideal para limpiar aparatos de calefacción, jambas de puertas, ventanas, persianas e instalaciones sanitarias.

Boquilla barredora de suelos

Ejemplos de aplicación

- Limpieza de grandes superficies, suelos de cerámica, mármol, parqué, alfombras etc.
- Boquilla para suelos con inserto de racor de goma: Para aspirar líquidos en superficies lisas.
- Boquilla de suelos con inserto de tiras de cepillo: para disolver y frotar suciedades resistentes.

Boquilla de limpieza manual

Ejemplos de aplicación

- Recomendado para la limpieza de superficies de cristal y espejos, superficies lisas en general o para la limpieza de materiales textiles como sofá, colchones etc.

Boquilla de mano y accesorios

- Racor de goma: Para superficies pequeñas: ventanas con subdivisiones, espejos, etc. Para ventanales y superficies grandes: azulejos de pared, superficies de trabajo, superficies de acero inoxidable.
- Corona de cepillo: Para alfombras, escaleras, partes interiores del coche, superficies textiles en general (luego de una prueba en un lugar poco visible). Para la limpieza y frotado abrasivo.

Limpieza de ventanas

Indicación: Precalear la luna de la ventana en épocas de temperaturas especialmente bajas. Para ello se debe aplicar vapor sobre toda la superficie de cristal a una distancia de aprox. 19.7 in (50 cm). De este modo se evitarán tensiones en la superficie que puedan provocar roturas de cristal.

- Aplicar vapor de forma uniforme a la superficie de cristal desde una distancia de aprox. 7.9 in (20 cm), para soltar la suciedad.
- Desconectar la alimentación de vapor.
- Pasar sobre la superficie de cristal de arriba a abajo con el labio de goma y aspirar.
- Secar el labio de goma y el borde inferior de la ventana después de cada pasada.

Boquilla triangular

La boquilla triangular solo se puede utilizar en combinación con la función de aspiración.

Transporte

△ PRECAUCIÓN

¡Peligro de lesiones y daños! Respetar el peso del aparato para el transporte.

- Colocar la boquilla para suelos en el soporte de la parte trasera del aparato y encajar la tubería de aspiración de vapor. Separar las tuberías de aspiración de vapor.
- Soltar los frenos de estacionamiento y desplazar el aparato con el estribo de empuje.
- Para cargar el aparato, agárrelo del asa y del estribo de empuje.
- Para transportar el aparato por trayectos largos, tire de él mediante el estribo de empuje.
- Al transportar en vehículos, asegurar el aparato para evitar que resbale y vuelque conforme a las directrices vigentes. Vaciar primero todos los recipientes.

Almacenamiento

△ PRECAUCIÓN

¡Peligro de lesiones y daños! Respetar el peso del aparato en el almacenamiento.

Este aparato sólo se puede almacenar en interiores.

Cuidados y mantenimiento

△ PELIGRO

Antes de efectuar cualquier trabajo en el aparato, desconéctelo, desenchúfelo y deje enfriar el aparato.

Comprobar las juntas

- Comprobar el estado de las juntas (2 anillos de obturación) en la clavija de conexión de accesorios, en el asa y en las tuberías de aspiración de vapor. Cambiar las juntas si es necesario.

Cambiar el filtro de partículas de suciedad gruesa

- Abrir la tapa del recipiente de agua sucia.
- Presionar hacia arriba el recipiente de agua sucia.

- Extraer el recipiente de agua sucia.
- Desbloquear el cierre del recipiente de agua sucia y quitar la tapa.
- Girar la tapa 180° y posar.
- Extraer y cambiar el filtro de partículas de suciedad gruesa del soporte del filtro.

Intervalos de mantenimiento

Anualmente

- El aparato deberá descalcificarlo el servicio técnico.

Ayuda en caso de avería

⚠ PELIGRO

Antes de efectuar cualquier trabajo en el aparato, desconéctelo, desenchúfelo y deje enfriar el aparato.

⚠ PELIGRO

Los trabajos de reparación en el aparato sólo los puede realizar el Servicio técnico autorizado.

Indicador de pantalla sin piloto de control

Llenar
Detergente

- Rellenar detergente.
- Colocar correctamente el recipiente de detergente hasta el tope.

Piloto de control "Servicio" parpadea en amarillo

Error de
servicio: E07

- Apagar la instalación, esperar un poco, encender de nuevo el aparato.
- Si no se apaga el piloto de control, repetir el proceso (máx. 4 veces).

Error de
servicio: E14

Advertencia previa Descalcificar (todavía 100 h)

- El aparato deberá descalcificarlo el servicio técnico.

Piloto de control "Servicio" se ilumina en amarillo

Error de
servicio: E15

Descalcificar

- El aparato deberá descalcificarlo el servicio técnico.

Piloto de control "Recipiente de agua limpia vacía" se ilumina en rojo

Llenar
con agua limpia

- Rellenar con agua limpia.
- Colocar correctamente el recipiente de agua limpia hasta el tope.

Piloto de control "Recipiente de agua sucia lleno" se ilumina en rojo

Vaciar
con agua sucia

- Vaciar el agua sucia.
- Colocar correctamente el recipiente de agua sucia y bloquear.

Piloto de control "Avería" parpadea en rojo

Error de
servicio: E01

- Desconexión del aparato
- Comprobar si está bien colocado el recipiente de agua limpia.
- Volver a conectar de nuevo el aparato.
- Si no se apaga el piloto de control, repetir el proceso (máx. 4 veces).

El piloto de control "Servicio" se ilumina en amarillo y el piloto de control "Avería" se ilumina a su vez en rojo.

Error de servicio: E01

→ Avisar al servicio técnico.

Error de servicio: E07

→ Avisar al servicio técnico.

Error de servicio: E09

→ Avisar al servicio técnico.

Error de servicio: E16

→ Avisar al servicio técnico.

Piloto de control "Avería" se ilumina en rojo

Error de servicio: E12

- Comprobar si está bien colocada la clavija de conexión de accesorios.
- Apagar la instalación, esperar un poco, encender de nuevo el aparato.
- Si sigue produciéndose el fallo, acuda al servicio técnico.

Error de servicio: E13

- Comprobar si está bien colocada la clavija de conexión de accesorios.
- Si entra agua en el asa, procurar que se seque totalmente.
- Apagar la instalación, esperar un poco, encender de nuevo el aparato.
- Si sigue produciéndose el fallo, acuda al servicio técnico.

Potencia de aspiración insuficiente

- Eliminar los atascamientos de la boquilla de suelos, la tubería de aspiración de vapor, asa y manguera de aspiración de vapor.
- Quitar los atascamientos de los accesorios.

Servicio de atención al cliente

Si la avería no se puede solucionar el aparato debe ser revisado por el servicio técnico.

Garantía

En todos los países rigen las condiciones de garantía establecidas por nuestra empresa distribuidora. Las averías del aparato serán subsanadas gratuitamente dentro del periodo de garantía, siempre que se deban a defectos de material o de fabricación. En un caso de garantía, le rogamos que se dirija con el comprobante de compra al distribuidor donde adquirió el aparato o al servicio al cliente autorizado más próximo a su domicilio.

Accesorios y piezas de repuesto

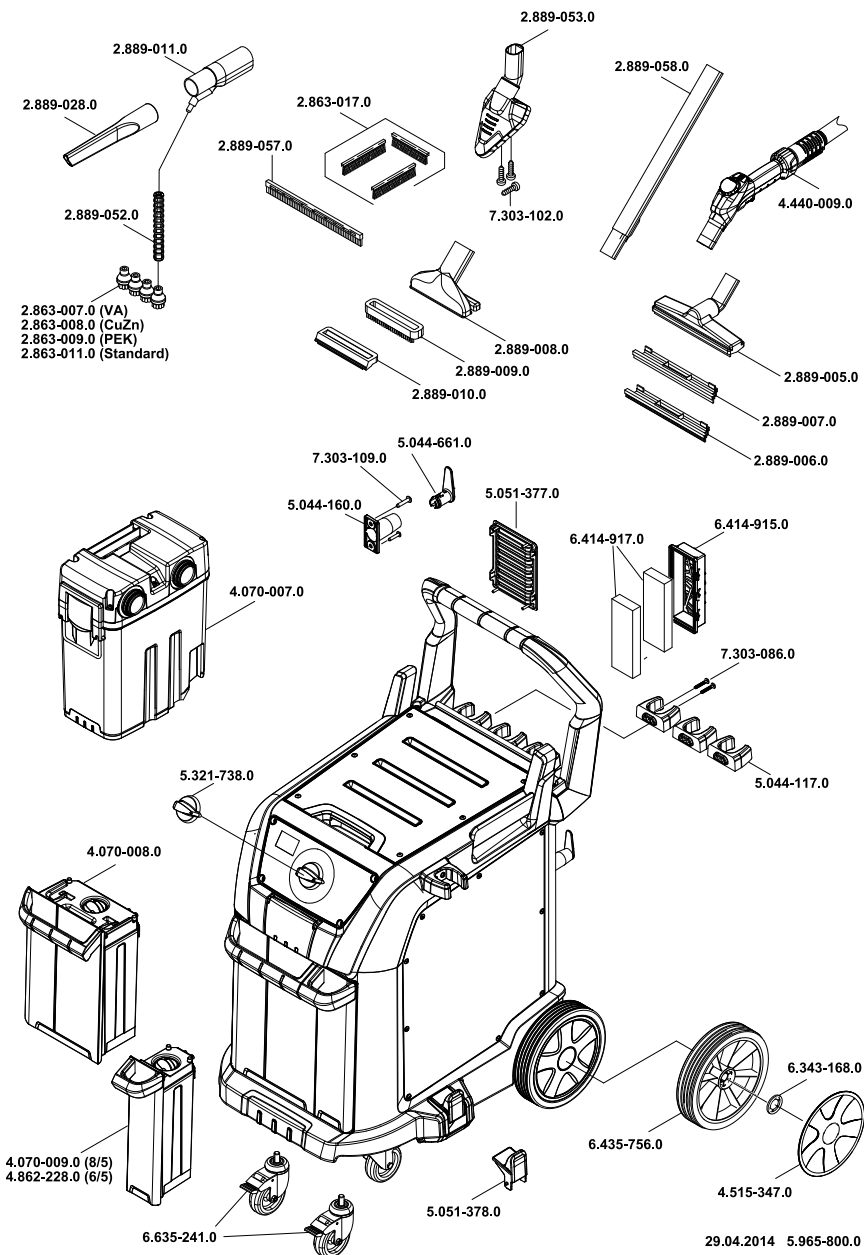
- Sólo deben emplearse accesorios y piezas de repuesto originales o autorizados por el fabricante. Los accesorios y piezas de repuesto originales garantizan el funcionamiento seguro y sin averías del aparato.
- Podrá encontrar una selección de las piezas de repuesto usadas con más frecuencia al final de las instrucciones de uso.
- En el área de servicios de www.kaercher.com encontrará más información sobre piezas de repuesto.

Datos técnicos

		SGV 6/5	SGV 8/5
Tensión de red	V	120	120
Frecuencia	Hz	1~ 60	1~ 60
Tensión en la empuñadura	V	5	5
Corriente nominal	A	13	13
Potencia nominal del ventilador	W	1200	1200
Potencia de alojamiento de la caldera de vapor	W	1600	1600
Bomba principal	W	52	52
Bomba de agua	W	27	27
Caldera de vapor	gal (l)	0.9 (3.4)	0.9 (3.4)
Volumen del recipiente de agua limpia	gal (l)	1.5 (5.6)	1.5 (5.6)
Volumen del recipiente de agua sucia	gal (l)	1.3 (5.0)	1.3 (5.0)
Cantidad de llenado del recipiente de detergente	gal (l)	--	0.5 (2.0)
Cantidad de aire (máx.)	CFM (l/s)	150 (71)	150 (71)
Depresión (máx.)	mm (kPa)	2590 (254)	2590 (254)
Presión de trabajo	psi (MPa)	87 (0.6)	116 (0.8)
Presión de vapor (máx.)	psi (MPa)	145 (1.0)	174 (1.2)
Caudal de vapor (máx.) - constante	oz/min (g/min)	1.9 (55)	1.9 (55)
Tiempo de calefacción	min	12.0	13.5
Temperatura de trabajo máx. agua caliente	°F (°C)	158 (70)	158 (70)
Temperatura de trabajo máx. accionamiento por vapor	°F (°C)	327 (164)	343 (173)
Caudal, agua	gal/min (l/min)	0.16 (0.6)	0.16 (0.6)
Caudal, detergente	gal/min (l/min)	--	0.18 (0.7)
Categoría de protección	--	IPX4	IPX4
Clase de protección	--	I	I
Longitud x anchura x altura	in (mm)	22.2 x 19.5 x 38.0 (640 x 495 x 965)	22.2 x 19.5 x 38.0 (640 x 495 x 965)
Peso de funcionamiento típico	lbs (kg)	85 (39)	88 (40)
Ángulo de inclinación (máx.)	°	10	10
Valores calculados conforme a la norma EN 60335-2-68			
Nivel de presión acústica L _{pA}	dB(A)	67	67
Inseguridad K _{pA}	dB(A)	1	1

Cable de conexión a la red	SJOW 3/14 AWG	
	No. de pieza	Longitud del cable
CUL	6.650-477.0	7.5 m

SGV 6/5 - SGV 8/5



29.04.2014 5.965-800.0



<http://www.kaercher.com/dealersearch>

